



Make a clean job
of the bulk
Complete Laundry Solutions



Extensively used by

Hotels • Resorts • Hospitals • Nursing Homes • Apparel Manufacturers • Launderers
Dry Cleaners • Railways • Ships • Defence Establishments • Restaurants • Clubs
Caterers Institutes • Hostels • Industries • Communes • Health & Beauty Spas
Sports Centres Laundromats • Apartment Blocks • Farmhouses • Construction Project
Sites • Correctional Homes

washes from 10 kg to
180kg

Versatile solutions to handle
large scale laundry efficiently



**100%
GERM FREE**



**POWER
WASH**



**ECO
FRIENDLY**



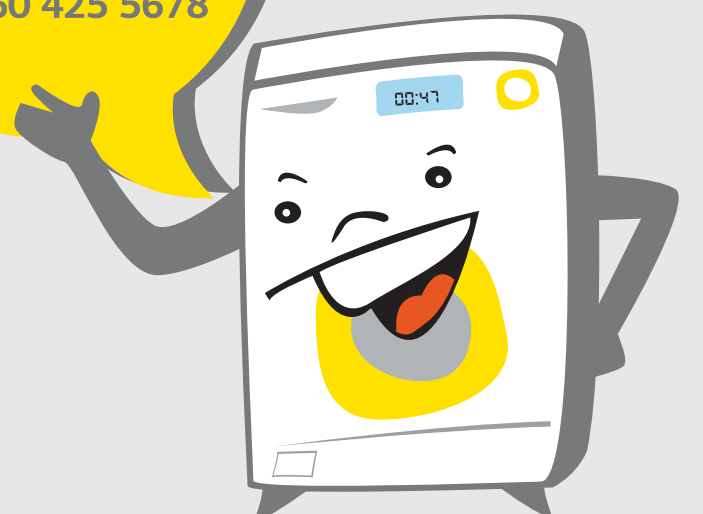
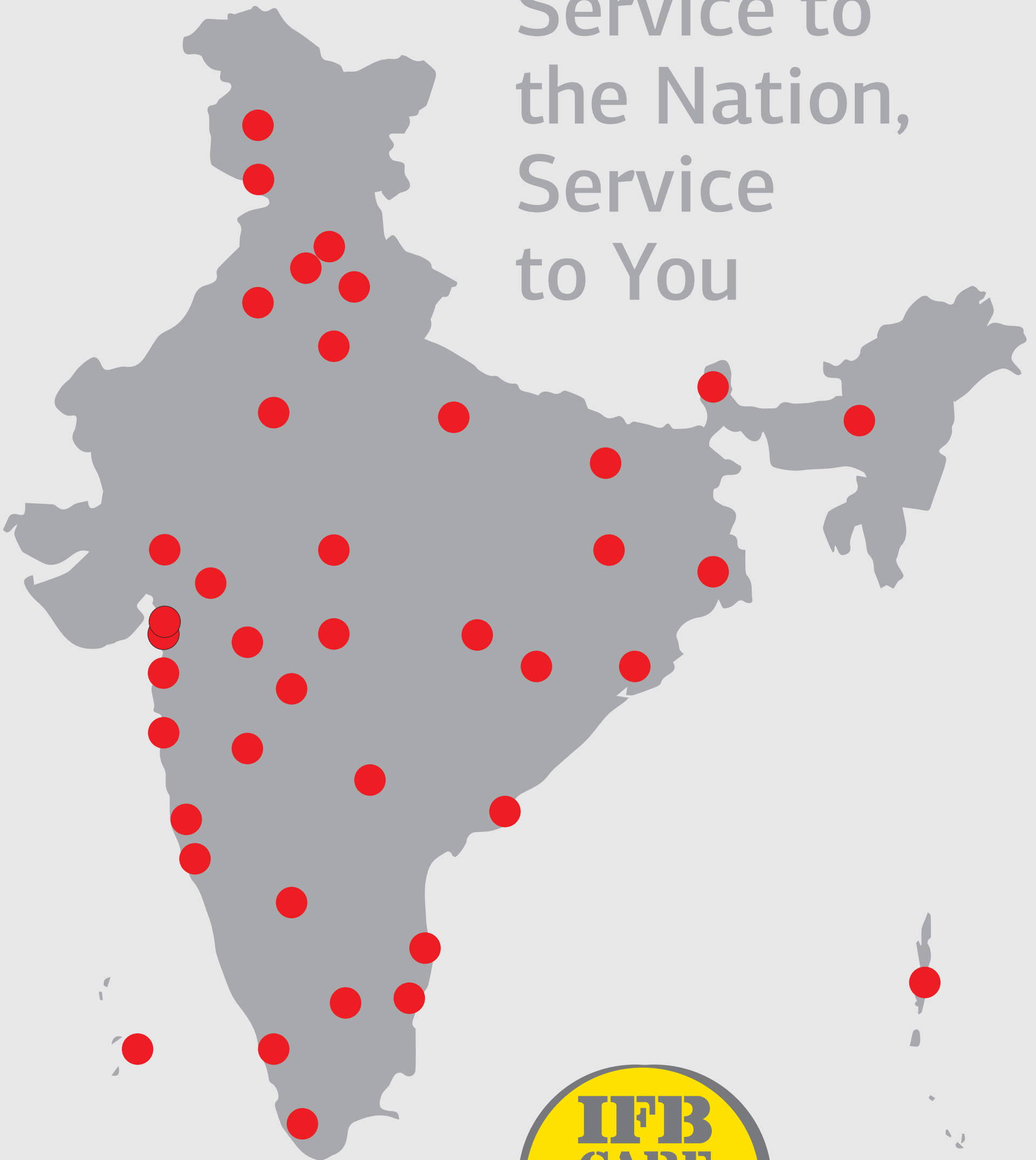
**POWER
DRY**

Introduction

IFB is a pioneer and market leader in the domestic laundry and dishwasher segments. Our Tufftec range makes us a one-stop-solution industry leader in providing turnkey commercial laundry and dishwashing solutions in India. Both, our imported **SMARTEC** range as well as our India made **TUFFTEC** range, will offer you quality, commitment and a dedication to performance. Furthermore, our new **LAUNDROMATIQUE** true 11 Kg volume washer and dryer Smart Duo is the perfect partner in growing your business.

Our machines are built to minimise environmental impact and reduce turnaround times. While they help you save resources, they also optimise performance. Supported by a nationwide network of highly trained engineers and preventive service protocols, customers enjoy uninterrupted service.

Service to
the Nation,
Service
to You





IFB
LAUNDROMATIQUE
Your partner in growing your business

**SMART
EARN**

FEATURES



True 11 Kg Volume

Hygienically washes an 11 Kg load up to 90°C and dries it at 70°C in just 80 minutes.



Customised Programs

Wash as per your needs using a fully programmable touch screen PLC with 20 customisable programs such as temperature, extra rinse, soak, detergent etc.



High Water Extraction

Removes more than 70% moisture for quicker drying and maximum energy savings.



Bi-directional Rotation

The tumble dryer drum rotates in two directions ensuring less wrinkles and tangle-free clothes.



Auto Cool Down

Activates at the end of the drying program to reduce wrinkles and untangle clothes.



Auto Imbalance Vibration Control

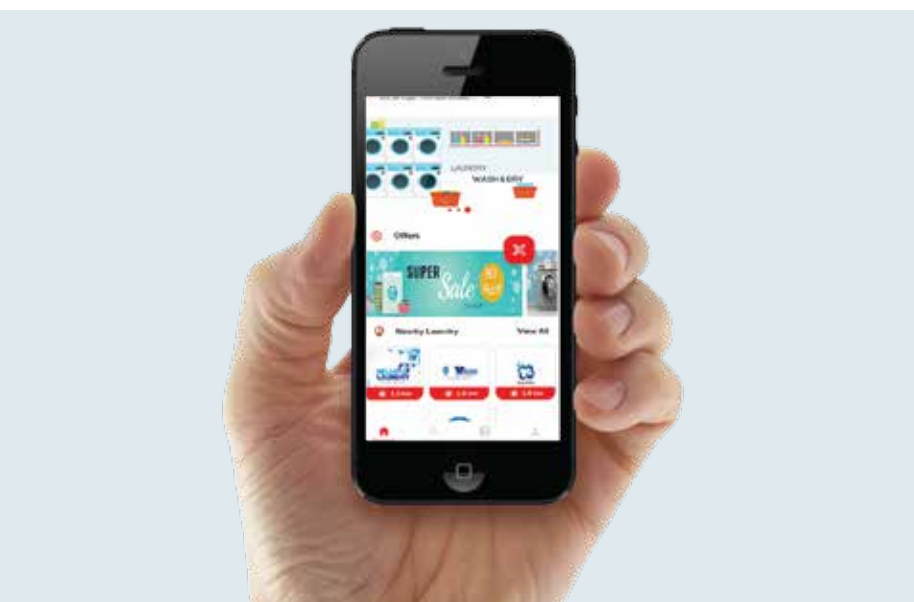
Smart sensing mechanism to detect and correct any imbalance during spin.





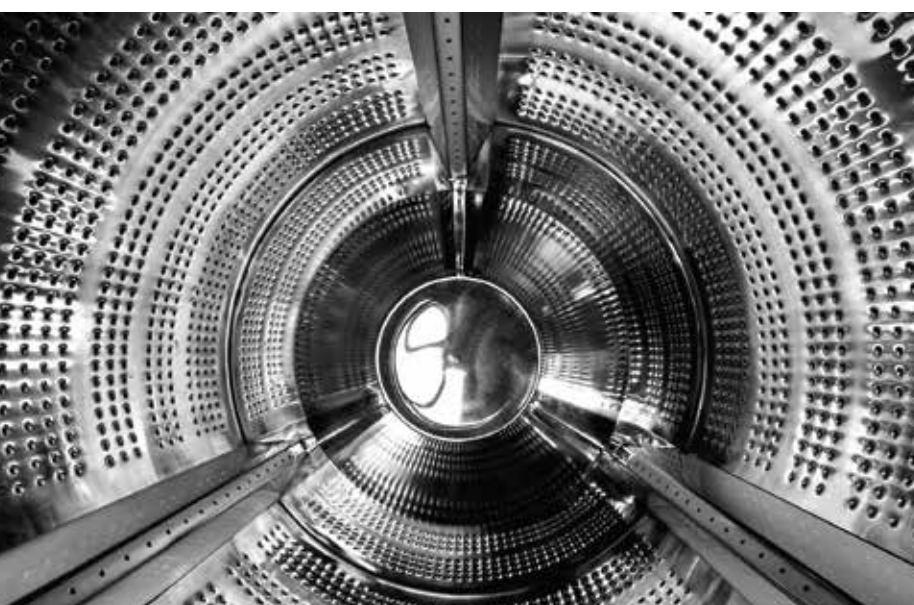
Easy-to-use

Convenient program selection control panel and large display.



App-based Control

An optional web and mobile based app is available. It works at 3 levels—users can operate the machine and make payments; vendors can control and check machines; administrators can use the web app to monitor vendors for reports and tracking payments.



Stainless Steel Drum

Ensures the surface remains smooth and gentle on clothes even after continuous use.



Higher Savings

Cut down on utility bills due to lower operating costs.

Load Washed/Day

[11 kg (Capacity) x 7 (Hours) x 85%]

65 kg

Price/kg

₹120

Earnings/Month

₹40,846.40

Breakeven Load/Day

16.48 kg

Payback Period

11.4 Months

Quicker ROI

A shorter turnaround time means more output and faster Return On Investment. You can earn your money back in just one year!

Robust Design

The stainless steel body and heavy weight make the machines stable and durable.

Note These calculations are based on standard ROI calculations and average laundry prices. The payback period may differ from case to case.





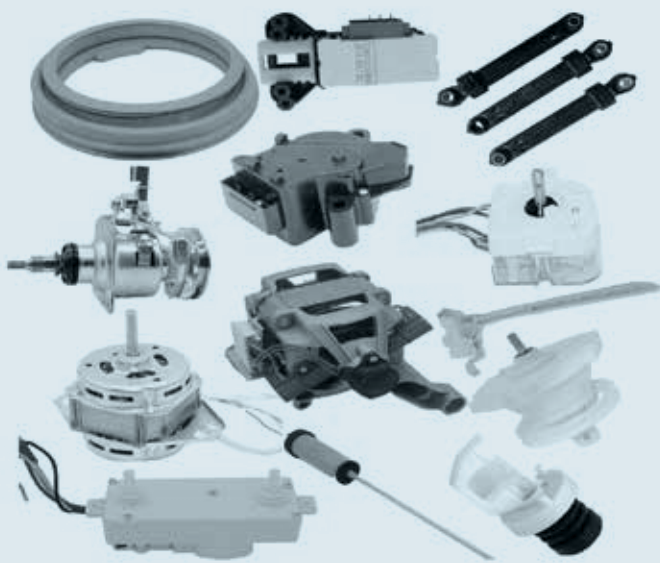
Warranty

IFB machines are built to last with a one-year warranty and 7–10 years spare part support. Extend the protection of your machine with a CAMC or AMC for the post warranty period.



Service Network

Nationwide presence of trained service engineers.



Spares Support

A spare parts inventory is maintained at all key towns to ensure minimal downtimes.



SMART DUO WASHER 11 KG



True Volume Load

Washing 11 Kg

Drying 11 Kg

All in a single laundry cycle! Cater to 80–120 Kg load/day. The washer extractor and tumble dryer both have a true volume capacity of 11 Kg.

Customise

Fully programmable touch screen PLC. Wash your laundry your way with 20 customisable programs— hot rinse, cold rinse, cold wash, detergent input etc.

Solid Steel

The machines have a built to last stainless steel body. They are robust, durable and steady for smooth operation up to 12 cycles/day.

App—Remote Control (Optional Feature)

India's first laundry solution can be completely accessed through an app—coinless payment, digital operations, laundry status etc.



AUTO DOOR INTERLOCK

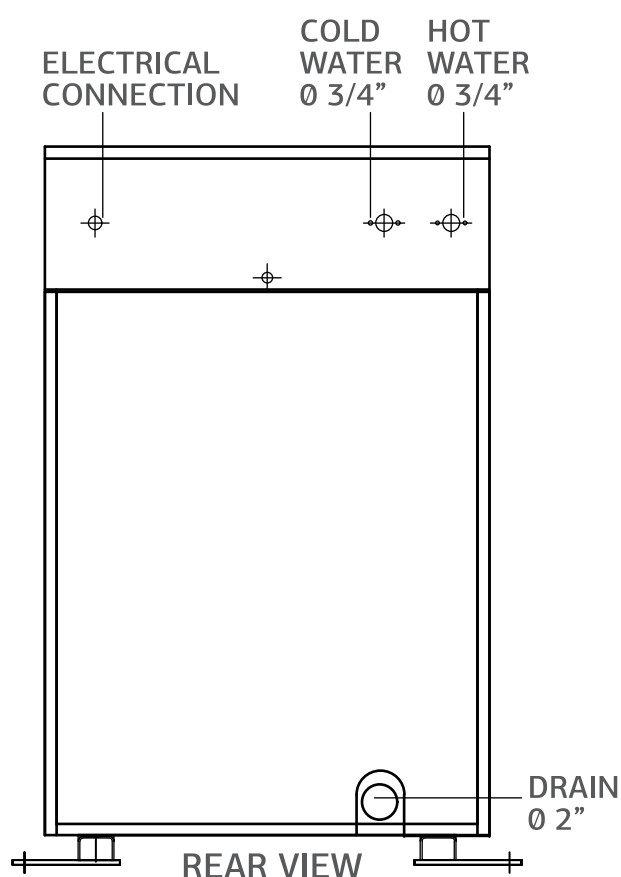
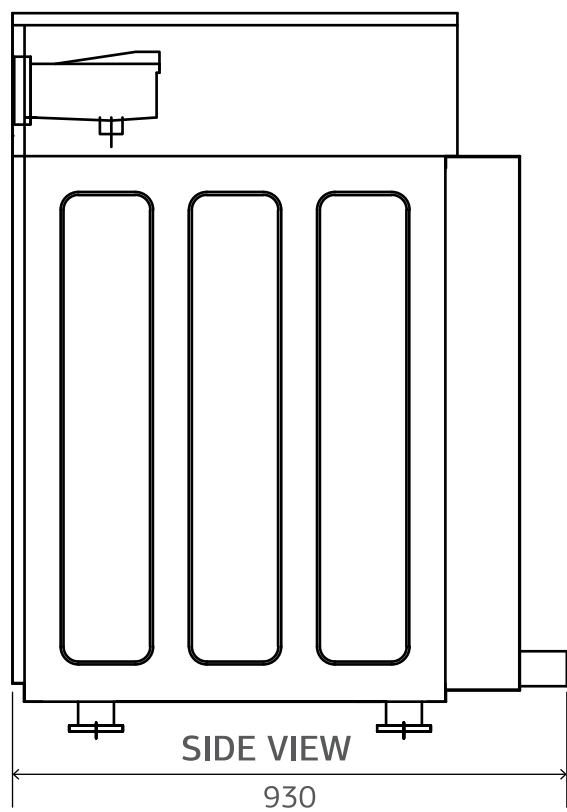
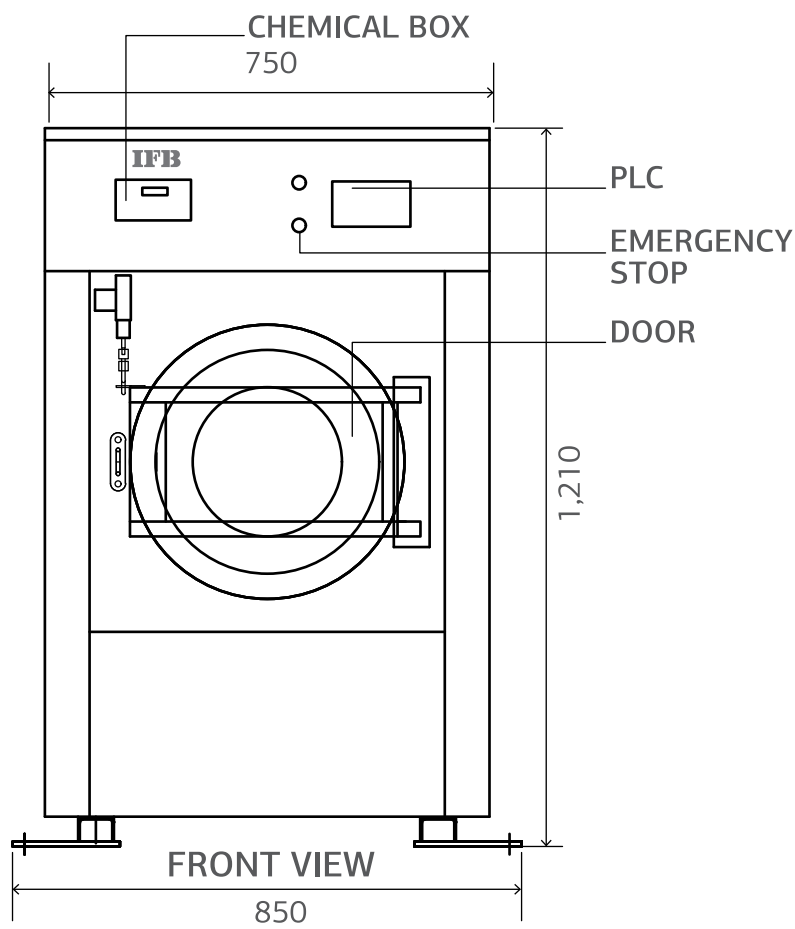


CHEMICAL COMPARTMENT



INVERTER DRIVE

**The product features and images shown in this brochure are for representation purposes only. Features and specifications/consumption as shown may not be part of standard fitment and may vary. Specifications mentioned above are subject to change without notice.*



WASHER EXTRACTOR (11 KG) IWE 108

Capacity (Kg)	11
Heating Type	Electrical
Motor Size (HP/kW)	1.5/1.1
Electrical Heating (kW)	6
Extraction Speed	
Max G-force	350
Max RPM	1,040
Washing Speed (Adjustable) RPM	36-40
Basket Capacity	
Volume (Ltr)	110
Diameter (mm)	580
Depth (mm)	416
Dimensions	
Width (in/mm)	34/850
Depth (in/mm)	37/930
Height (in/mm)	48/1,210
Door Diameter (in/mm)	16/400
Crated Dimensions	
Width (in/mm)	36/910
Depth (in/mm)	42/1,065
Height (in/mm)	53/1,340
Approximate Weight	
Uncarted (lb/Kg)	572/260
Carted (lb/Kg)	625/284
Electrical Requirements	
Electrical Rating	415 V, 50 Hz, 3 Phase + N + E
Breaker/Fuse (Amps)	20
Operating Control	
PLC Model	LEVI2043E-N
Speed (RPM) Control	VFD Controlled
Door Locking	Electrically Interlocked
Optional Features	
Remote Control through Mobile/Wi-Fi App	
Electrical Energy and Water Consumption Data/Display	
Water Connections	
Water Inlet (in)	Dia 3/4" x 2 (Hot & Cold)
Operating Pressure (PSI/Bar)	29-58/2-4
Drain Size (in)	Dia 2", Electrically Operated Valve
Chemical Compartment	A, B, C
Warranty	1 Year

SMART DUO DRYER 11 KG



Two Separate Machines are an Easy Fit

Soft mounted, compact sized machines for better space utilisation.

Tangle-free Drying

The tumble dryer drum uses bi-directional rotation ensuring clothes don't get tangled and are easier to iron.

App—Remote Control (Optional Feature)

India's first laundry solution to be completely accessible through an app—coinless payment, digital operations, laundry status etc.

Service and Savings

Lower electricity bills—uses less energy to dry because the washer extractor removes 70% of the moisture. After sales service support from IFB ensures zero downtime.

Option Available

Powder coated body construction also available.



SS LINT FILTER



TOP OF DRYER



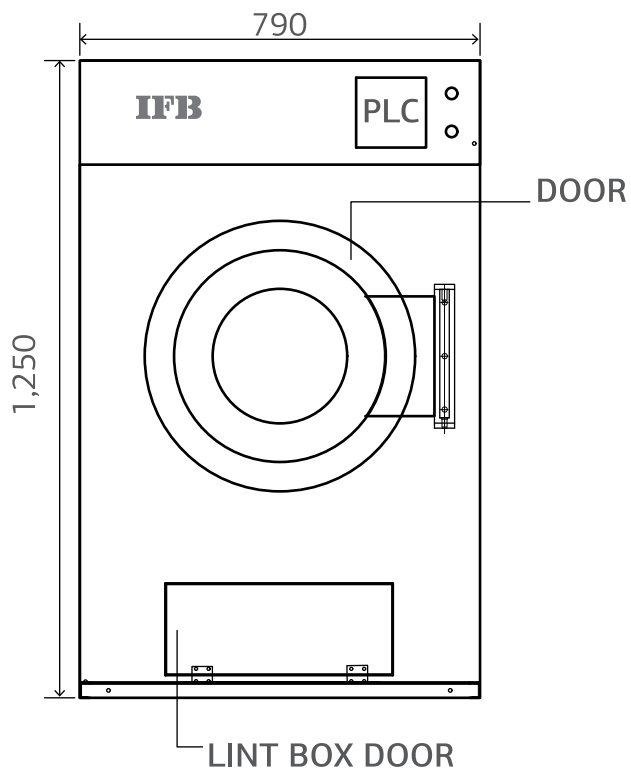
DOOR LOCK



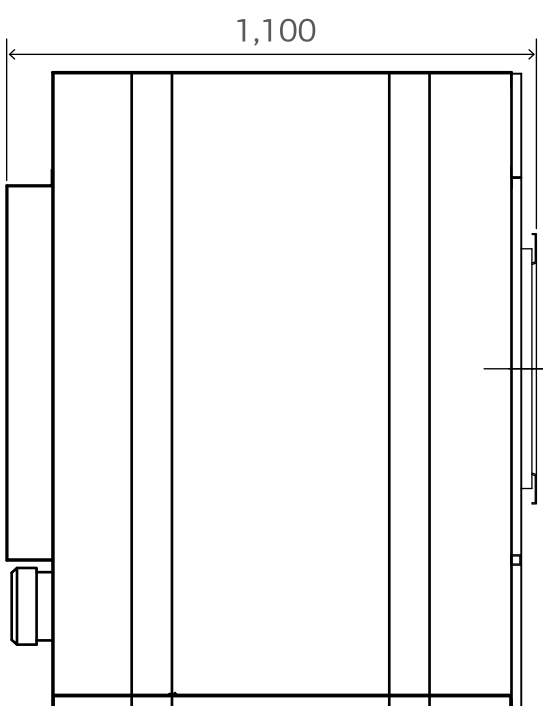
PLC

**The product features and images shown in this brochure are for representation purposes only. Features and specifications/consumption as shown may not be part of standard fitment and may vary. Specifications mentioned above are subject to change without notice.*

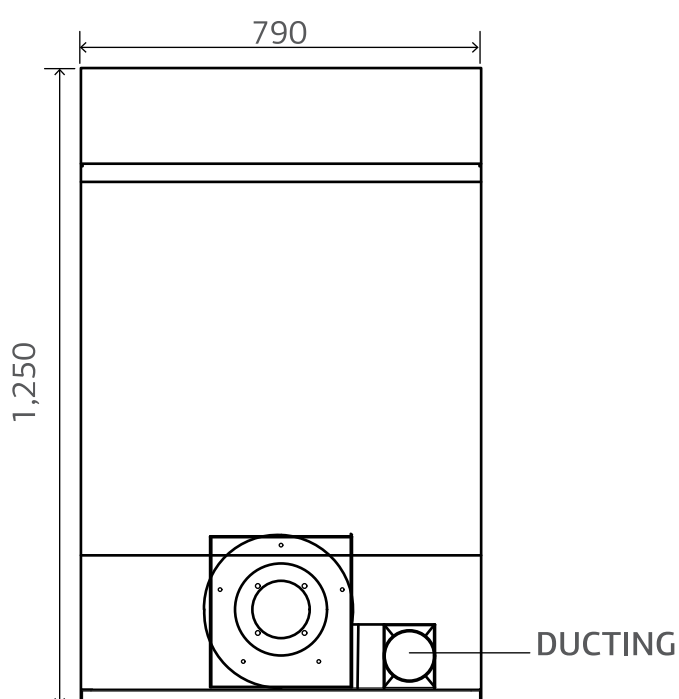
SMART DUO WASHER 11 KG



FRONT VIEW



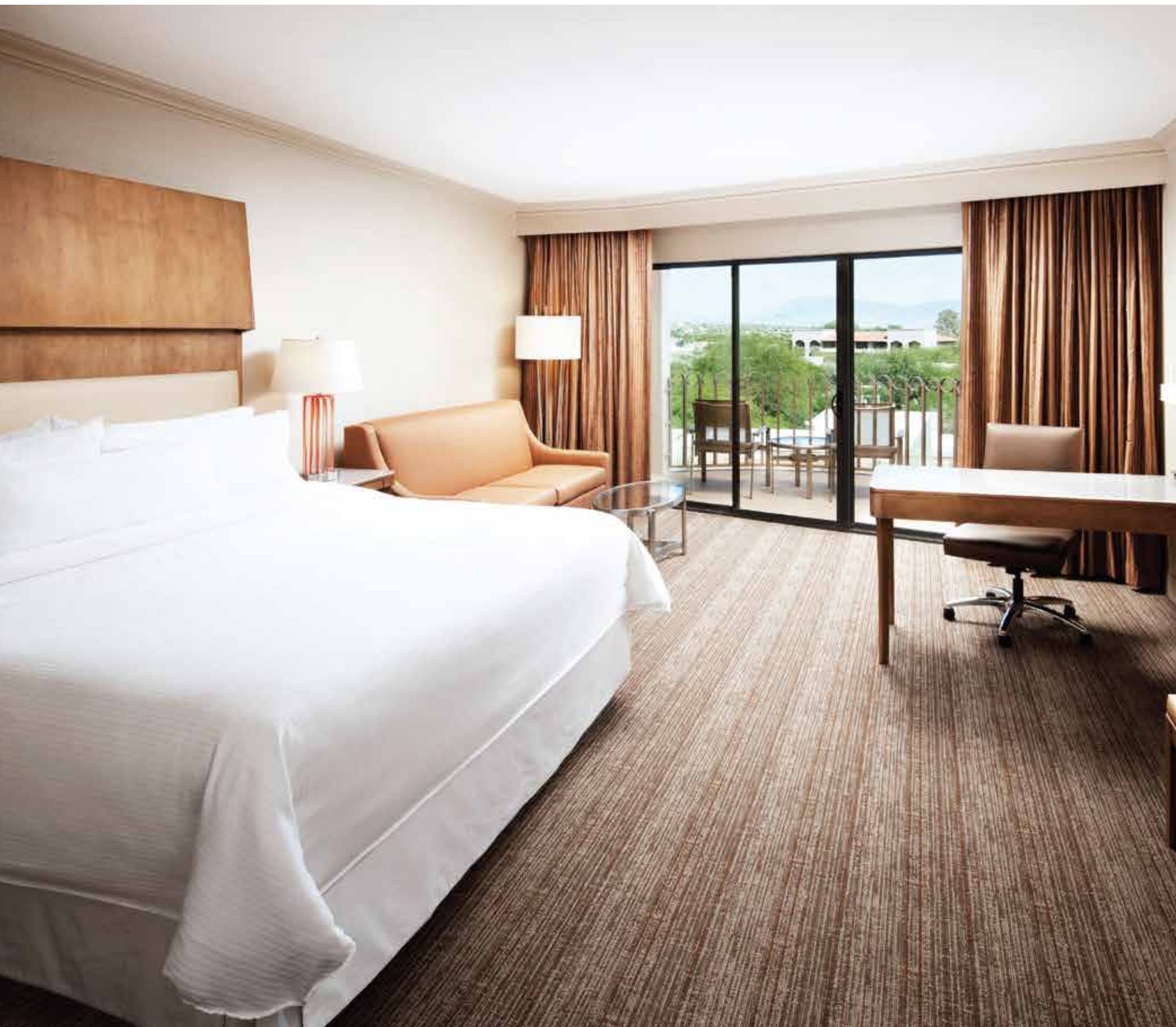
SIDE VIEW



REAR VIEW

TUMBLE DRYER (11 KG)
ITD 108

Capacity (Kg)	11
Heating Type	Electrical
Drive Motor (HP/kW/RPM)	0.5/0.37/925
Blower Motor (HP/kW/RPM)	0.5/0.37/1,240
Electrical Heating (kW)	9
Basket Speed (RPM)	35 ± 3
Basket Capacity	
Volume (Ltr)	212
Diameter (mm)	681
Depth (mm)	582
Dimensions	
Width (in/mm)	31/790
Depth (in/mm)	43/1,100
Height (in/mm)	49/1,250
Door Diameter (in/mm)	18/465
Crated Dimensions	
Width (in/mm)	34/860
Depth (in/mm)	48/1,210
Height (in/mm)	54/1,370
Approximate Weight	
Uncarted (lb/Kg)	638/290
Carted (lb/Kg)	691/314
Electrical Requirements	
Electrical Rating	415 V, 50 Hz, 3 Phase + N + E
Breaker/Fuse (Amp)	20
Operating Control	
PLC Model	TDC-01
Door Locking	Safety Limit Switch
Optional Features	
Remote Control through Mobile/Wi-Fi App	
Warranty	1 Year



RamsonsTM LAUNDRY
A DIVISION OF IIFB

TUFFTEC

Introducing a new range of industrial laundry products specially designed to withstand Indian usage and voltage conditions.





A dedicated team of 70 people and 17 service centres across the length and breadth of India offers market leading after sales service to our 15,000 clients.

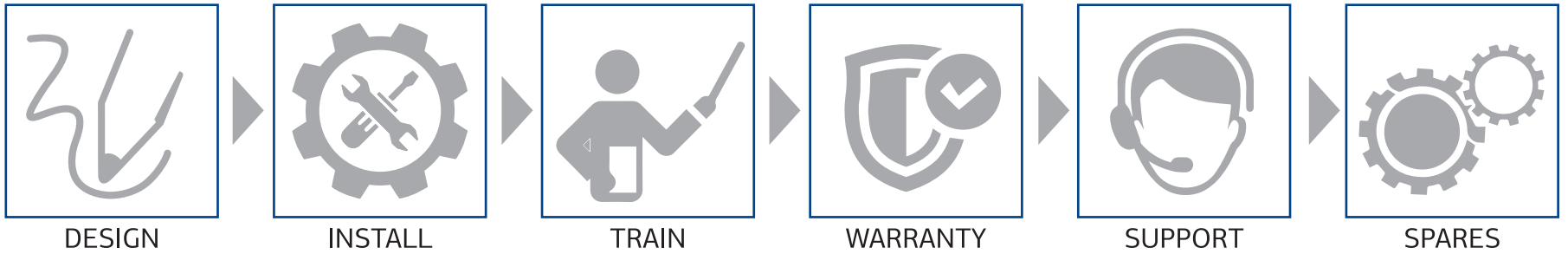
WIDE CHOICE OF SOLUTIONS



With the widest array of industrial solutions for laundry in India, we offer products for every segment of the commercial laundry sector.



Featuring over half a century of experience, precision and engineering talent, our ISO and CE certified products offer world class laundry solutions.



UNIQUE TURNKEY SOLUTIONS

From customised product assemblies to installation, training and after sales service, our seamless process ensures quality, commitment and care



CE certification is a regulatory marking indicating the products sold by the manufacturer meet EU safety, health and environmental protection requirements.



**CUSTOMISED
PROGRAMS**



Our machines feature fully programmable PLCs that can store up to 24 wash programs, enabling best-in-class equipment for every customer requirement.

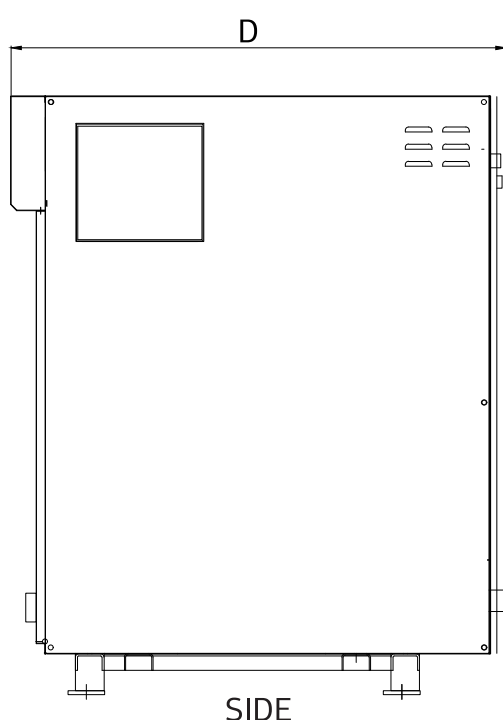
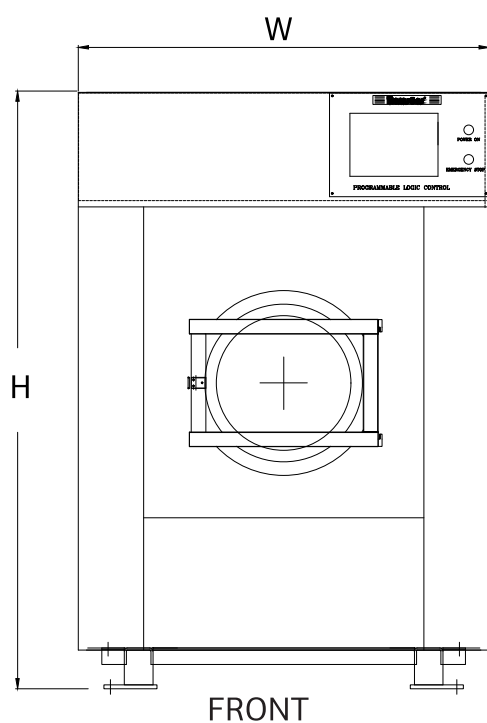


With a footprint in over 32 countries, we export laundry solutions to Europe, the Middle East, Africa and South East Asia.



Our production facility is certified under the most stringent quality standards and uses state-of-the-art equipment.

WASHER EXTRACTOR



Major Features

- Front loading and unloading
- High speed extraction
- Fully suspended soft mount type
- Stability—an Out of Balance Switch avoids over vibration wash cycles.
- Stainless steel construction
- Hygienic wash—Customers have the option to set the wash temperature up to 90° C
- Quick water intake and discharge for optimal productivity and savings
- Electro polished stainless steel heater element

• Fully Programmable PLC

- Store 24 wash programs with a large LCD display showing complete information of the program
- Pause and Continue features are provided in case of power outage
- The preset programs can be easily modified
- A single motor with a variable frequency inverter drive renders various speeds for washing, distribution and low, medium and high spin extraction. It also controls electrical peak load demands
- High torque inverters and heavy duty motors ensure high efficiency and low power consumption
- Provided with 5 stainless steel chemical compartments (6th compartment is optional)

• Safety Features

- Both manual and auto door lock mechanisms ensure the door stays closed during operation
- Emergency Stop Switch
- Heavy duty bearing housing and pulley construction make for an extremely rugged and resourceful machine, perfect for heavy duty applications
- Smooth operation with soft start and stop ensures least wear and tear



INVERTER DRIVE

The inverter enables smooth Start/ Stop/Acceleration/ Deceleration function of the washer. Avoids the motor's high starting current, thereby avoiding distortion in the main power line and protecting other equipment connected to the same power line.



DOOR LOCK

For safety, both manual and auto door lock mechanisms are provided, which ensure the door is closed during operation. An Emergency Stop Switch is provided for the operator's convenience and safety. The door lock is either electric or pneumatic depending on the capacity of the washer extractor.



CHEMICAL COMPARTMENT

Made of Stainless Steel 316 to prevent possible rusting and corrosion caused by various detergents/chemicals used in washing. Provided with 5 compartments for 5 different detergents, a selection of which can be programmed by the PLC.



PLC

Can store 24 wash programs with large LCD display showing complete information. Pause and Continue features are provided in case of power loss. The preset programs can be easily modified.

Model	Capacity	Basket			Door Opening	Motor	Final Extraction	G-Factor	Steam Inlet	Water Inlet	Drain Outlet
	(Kg)	Volume	Diameter	Depth	Diameter	(hp)	(RPM)		(inch)	(inch)	(inch)
		(Ltr)	(mm)	(mm)	(mm)						
RVWE 15	15	151	630	485	355	2	940	310	0.5	1	3
RVWE 30	30	305	840	550	525	7.5	865	350	0.5	1x2 0.75x1	3
RVWE 45	45	450	970	605	525	7.5	805	350	0.5	1x2 0.75x1	3
RVWE 60	60	620	1020	760	670	15	785	350	0.5	1.5x2 0.75x1	3
*RVWE110	110	1100	1325	810	670	25	685	350	1	2x2 0.75x1	6

Model	Heater	Steam Pressure	Steam Consumption	Compressed Air Inlet	Compressed Air Pressure	Total Connected	Total Connected	Dimensions	Estimated Net Weight
	Optional	(Bar)	Kg/hour	inch	(Bar)	Load for	Load for	(WxDxH)	
	(kW)					Steam (kW)	Electrical (kW)	(mm)	
RVWE 15	9	4-5	15	NA	NA	1.5	10.5	965x1210x1510	500
RVWE 30	18	4-5	30	NA	NA	5.6	23.60	1280x1400x1870	1000
RVWE 45	22.5	4-5	45	NA	NA	5.6	28.10	1380x1510x1875	1400
RVWE 60	27	4-5	60	NA	NA	11.2	38.20	1370x1580x1950	1650
*RVWE110	27	4-5	110	PU 8	5-8	18.75	45.75	1910x2060x2500	3450

*Tilting feature available.
Steam option available for all models.



*The product features and images shown in this brochure are for representation purposes only. Features and specifications/consumption as shown may not be part of standard fitment and may vary. Specifications mentioned above are subject to change without notice.



UNIQUE TURNKEY SOLUTIONS



HYGIENIC BARRIER WASHER EXTRACTORS



Loading Side



Unloading Side

Major Features

- Front loading and rear unloading
 - Prevents cross contamination between dirty and clean linen in healthcare centres, hospitals, nursing homes and pharmaceutical plants
 - Double door located on either side of a partition between soiled and clean rooms
- Stability—an Out of Balance Switch avoids over vibration wash cycles.
- Open/split pocket type
- Heavy duty high spin, soft mount
- Stainless steel construction
- Variable frequency inverter drive
- Heavy duty bearing housing and pulley construction
- 5 stainless steel chemical compartments (6th compartment is optional)
- Pneumatic brake system to position and hold the basket door during loading and unloading
- LED indicator activates to show completion of the wash program
- Hygienic wash: Customers have the option to set the wash temperature up to 90°C
- Electro polished stainless steel heater element

Safety Features

- Emergency Stop Switch
- When the loading activity is ON, the unloading side will have no control over any buttons provided on its side and vice versa
- Outer drum doors cannot be opened on either sides unless the basket door is aligned with the outer drum doors

Fully Programmable PLC

- Stores 24 wash programs, with a large, LCD display showing real time status of washing steps, program number, water level, temperature, lapsed time, total time etc
- Retentive memory restarts the machine from the step at which it stopped in case of power failure
- Preset programs can be easily modified as per operational requirements
- LED icons depict washing activity such as water inlet, heating, washing, spinning, door lock status, chemical intake etc
- Electrical interlock control allows unloading in the clean room side only, after the wash program is completed. Control is transferred back to the loading side after unloading is completed
- Automatic dosage of chemicals in liquid forms
- Proximity sensors for automatic alignment of basket and door positioning for loading and unloading, interlocking and unlocking, all controlled by the PLC



INVERTER DRIVE

The inverter enables smooth Start/ Stop/Acceleration/ Deceleration function of the washer. Avoids the motor's high starting current, thereby avoiding distortion in the main power line and protecting other equipment connected to the same power line.



PNEUMATIC DOOR LOCK

For safety, both manual and auto door lock mechanisms are provided, which ensure the door is closed during operation. An Emergency Stop Switch is provided for the operator's convenience and safety.



CHEMICAL COMPARTMENT

Made of Stainless Steel 316 to prevent possible rusting and corrosion caused by various detergents/chemicals used in washing. Provided with 5 compartments for 5 different detergents, a selection of which can be programmed by the PLC.



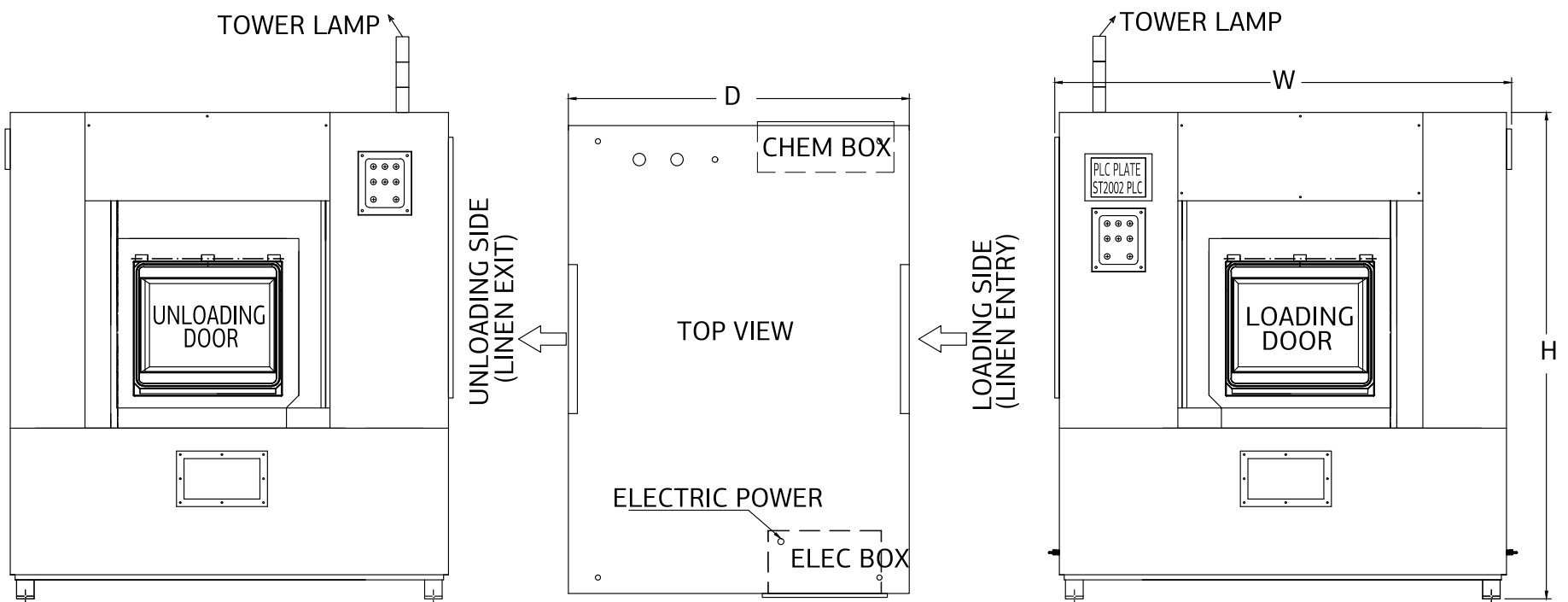
PLC

Can store 24 wash programs with large LCD display showing complete information. Pause and Continue features are provided in case of power loss. The preset programs can be easily modified.

Model	Capacity	Basket			Door Opening	Motor	Final Extraction	G-Factor	Steam Inlet	Water Inlet	Drain Outlet
	(Kg)	Volume	Diameter	Depth	WxH	(hp)	(RPM)		(inch)	(inch)	(inch)
	(Ltr)	(mm)	(mm)	(mm)	(mm)						
RWHY 30	30	305	840	550	400x310	7.5	800	300	0.5	1x2 0.75x1	3
RWHY 60	60	620	1020	760	475x330	15	785	350	0.5	1.5x2 0.75x1	4

Model	Heater	Steam Pressure	Steam Consumption	Compressed Air Inlet	Air Pressure	Total Connected Load for Steam (kW)	Total Connected Load for Electrical (kW)	Dimensions (WxDxH) (mm)	Estimated Net Weight (Kg)
	Optional	(Bar)	Kg/hour	(inch)	(Bar)				
	(kW)				(mm)				
RWHY 30	18	4-5	30	PU 8	4-8	5.60	23.60	1650x1360x1750	1350
RWHY 60	27	4-5	60	PU 8	4-8	11.20	38.20	1840x1350x2250	2000

Steam option available for all models.



*The product features and images shown in this brochure are for representation purposes only. Features and specifications/ consumption as shown may not be part of standard fitment and may vary. Specifications mentioned above are subject to change without notice.



UNIQUE TURNKEY SOLUTIONS



TUMBLE DRYERS



Special Features

- Front loading open pockets
- Stainless steel inner basket
- Auto Cool Down—Activates at the end of the drying program to reduce wrinkles and untangle clothes
- The stainless steel inner basket is programmable for forward and reverse rotations to prevent garments from entangling with each other
- A large door with glass is provided for ease of loading and unloading of laundry
- A special radiator/heat exchanger design and efficient blower system ensures perfect drying

Programmed for Safety

- Programmable control system
- Cooling down damper (optional)
- Fire suppression system (optional)
- Emergency stop buttons and a safety limit switch to ensure safety of the operator
- SS lint collection mesh

*Gas option available for all models.
Tilting option available from 120 Kg.





CONTROLLER

A programmable control system comes standard with this machine, while a fire suppression system and cooling damper is optional for capacities above 120 Kg.



LINT COLLECTION MESH

All dryers are provided with lint meshes prior to the hot air exhaust. The lint drops by itself to the bottom as the suction stops at the end of each cycle.



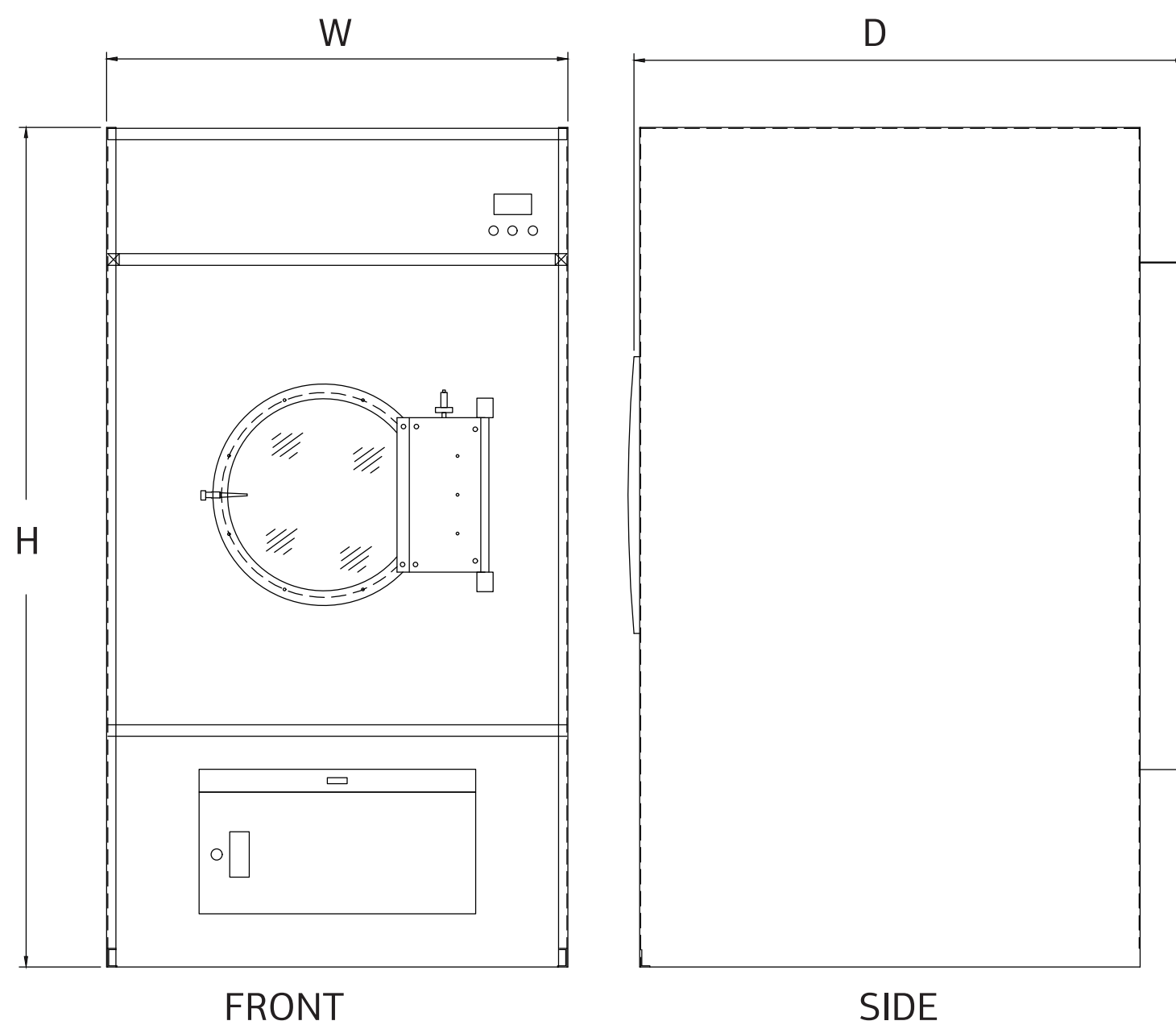
STEAM/ELECTRIC RADIATOR

Steam—Heat generated by passing steam through a heat exchanger (or radiator).

Electrical—Electrical heating elements are used to heat up the heat exchanger.

Model	Capacity	Basket			Door Opening Diameter	Drive Motor	Exhaust Motor	Steam Inlet	Condensate Outlet	Steam Pressure	Steam Consumption
		Volume	Diameter	Depth							
	(Kg)	(Ltr)	(mm)	(mm)	(mm)	(hp)	(hp)	(inch)	(inch)	(Bar)	(Kg)
RTD 15	15	279	710	705	500	0.5	0.75	0.5	0.5	4-5	20
RTD 30	30	613	970	830	750	1	1	1	1	4-5	40
RTD 60	60	1227	1220	1050	750	2	2	1	1	4-6	80
RTD 75	75	1495	1380	1000	750	3	2	1	1	4-6	100
RTD 120	120	2520	1740	1060	990	5	2x2	1.5	1	4-6	160
RTD 150	150	2980	1775	1205	990	5	2x2	1.5	1	4-6	200
RTD 200	200	4067	2100	1175	1170	7.5	5x2	1.5	1	4-6	266
RTD 300	300	5893	1750	2450	1170	6	5x4	1.5	1	4-6	400

Model	Hot Air Outlet Size	Heater	Total Connected Load (Steam)	Total Connected Load (Electrical)	Dimensions (WxDxH)	Estimated Net Weight
	(mm)	(kW)	(kW)	(kW)	(mm)	(Kg)
RTD 15	110x120	12	0.9	12.9	830x1270x1490	340
RTD 30	150x200	24	1.5	25.5	1060x1420x1870	500
RTD 60	200x200	27	3.0	30	1360x1990x2135	840
RTD 75	210x250	36	3.7	39.7	1560x2010x2330	1100
RTD 120	250x500	27x2	6.7	60.7	2150x2170x2500	1600
RTD 150	250x500	36x2	6.7	78.7	2280x2295x2580	1800
RTD 200	300x300	NA	13.12	—	2750x2260x3030	3475
RTD 300	400x300x2	NA	19.5	—	2420x2890x2945	3700



VERTICAL WASHING MACHINES



Major Features

- Front loading
- Electrical control panel (with auto control options)
- Digital temperature controller with display
- Alarm to indicate end of cycle
- Clockwise and anti-clockwise drum rotation
- Individual push buttons for Start, Stop, Power ON and Main Power
- Stainless steel chemical dispenser
- Electro polished stainless steel heater element.

Special Features

- Water level indicator
- Fully Stainless Steel 304 inner and outer drum
- Chemicals enter the wash cycle in the inner drum via a stainless steel chemical box fitted on the side of the machine
- Large-hinged door for easy loading and unloading

Safety Features

- Provided safety main controller switch
- Safety door limit switch

Shoe Washing Machine Features

- Stainless steel 304 grade inner basket, outer drum and outer body
- Fully programmable auto controller
- Variable frequency inverter drive
- Electric interlock and door limit switch
- Emergency stop button





ELECTRICAL CONTROL PANEL

Digital temperature display with buzzer to indicate end of cycle time. Machine drum has forward and reverse rotation as well as individual push buttons for Start, Stop, Power ON and Main Power.



CHEMICAL COMPARTMENT

Made of Stainless Steel 304 to prevent possible rusting and corrosion caused by various detergents/chemicals used in washing.



FULLY STAINLESS STEEL

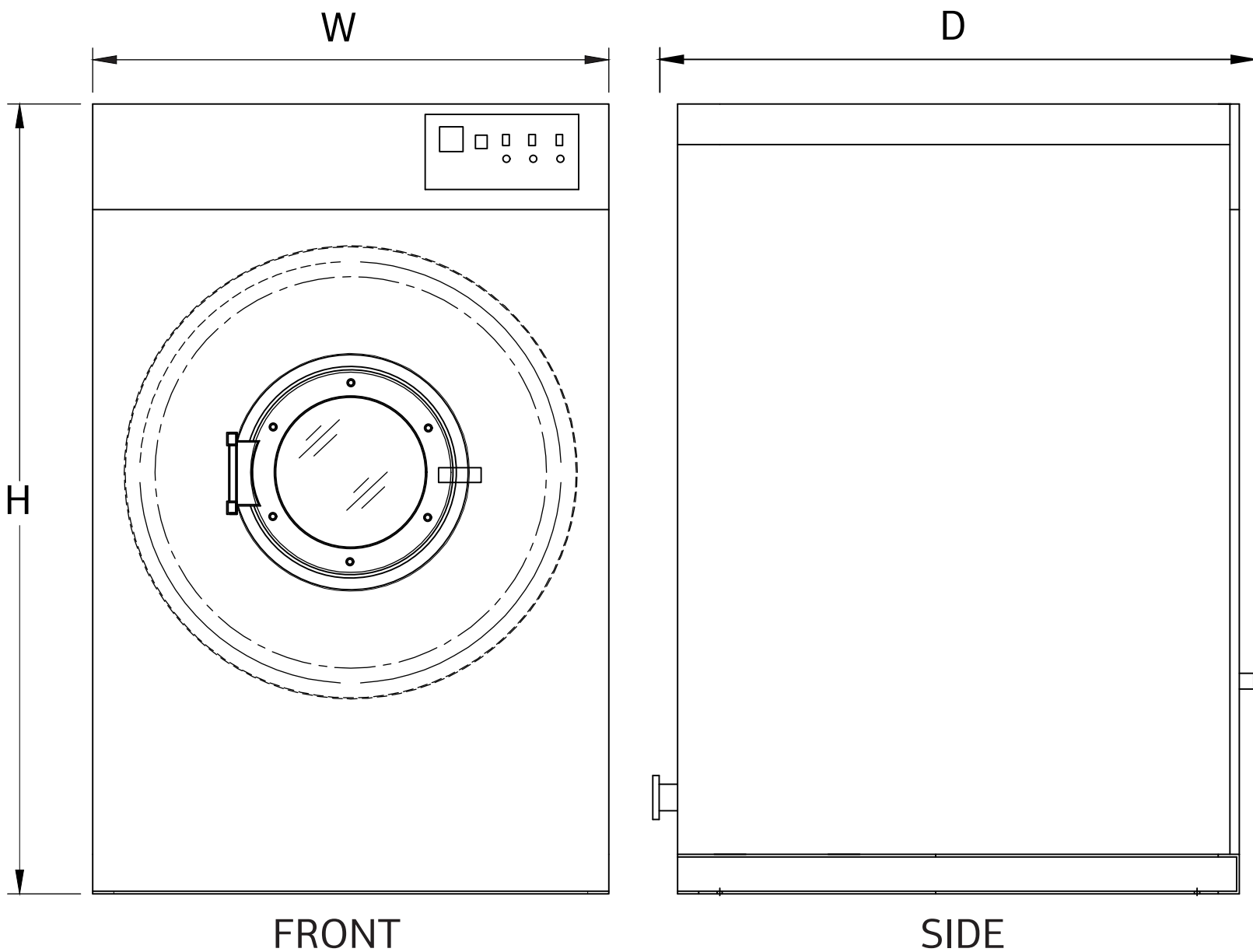
Fully stainless steel 304 grade inner basket and outer drum.

**The product features and images shown in this brochure are for representation purposes only. Features and specifications/consumption as shown may not be part of standard fitment and may vary. Specifications mentioned above are subject to change without notice.*

Model	Capacity (Kg)	Basket			Door Opening Diameter (mm)	Motor (hp)	Steam Inlet (inch)	Steam Pressure (Bar)	Steam Consumption (Kg/hr)	Water Inlet (inch)	Drain Outlet (inch)	Heater (Optional) (kW)
		Volume (Ltr)	Diameter (mm)	Depth (mm)								
RVW 20	20	206	800	410	350	2	1	4-5	20	2	2	6
RVW 35	35	408	1000	520	450	3	1	4-5	35	2	2	9
RVW 50	50	565	1000	720	450	5	1	4-5	50	2	2	18
RVW 75	75	768	1150	740	670	5	1	4-5	75	2	3	24
RVW 100	100	993	1220	850	670	7.5	1	4-5	100	2	3	27
RVW 200	200	2068	1500	1170	800	15	1.5	4-5	200	2	6	27

Model	Total Connected Load (Steam)	Total Connected Load (Electrical)	Dimensions (WxDxH)	Estimated Net Weight
	(kW)	(kW)	(mm)	(Kg)
RVW 20	1.5	7.5	1150x1350x1625	520
RVW 35	2.25	11.25	1350x1425x1825	630
RVW 50	3.75	21.75	1350x1700x1825	850
RVW 75	3.75	27.75	1650x1800x2000	980
RVW 100	5.6	23.6	1440x1820x2230	1100
RVW 200	11.3	38.3	2400x2400x2700	3080

Steam option available for all models.
Shoe washing machines available for all models.



HORIZONTAL WASHING MACHINE

Safety Features



Major Features

- Top loading
- Stainless Steel 304 inner basket and outer drum

Safety Features

- Safety main controller switch is provided
- Safety door limit switch

Special Features

- Calibrated water level indicator
- Large cast iron drainage to ensure quick release of water

- Unique design in which the door height is raised above the centre of the drum, increasing liquid holding capacity
- Available in both steam and electric heating models
- Stainless steel chemical dispenser
- The reduction pulley system (gear box with pulley) ensures a smooth and soft drive
- Hot forged end flange shafts ensure long life



CONTROL PANEL

Digital temperature display with buzzer to indicate end of cycle time. Machine drum has forward and reverse rotation as well as individual push buttons for Start, Stop, Power ON and Main Power.



CHEMICAL DISPENSER

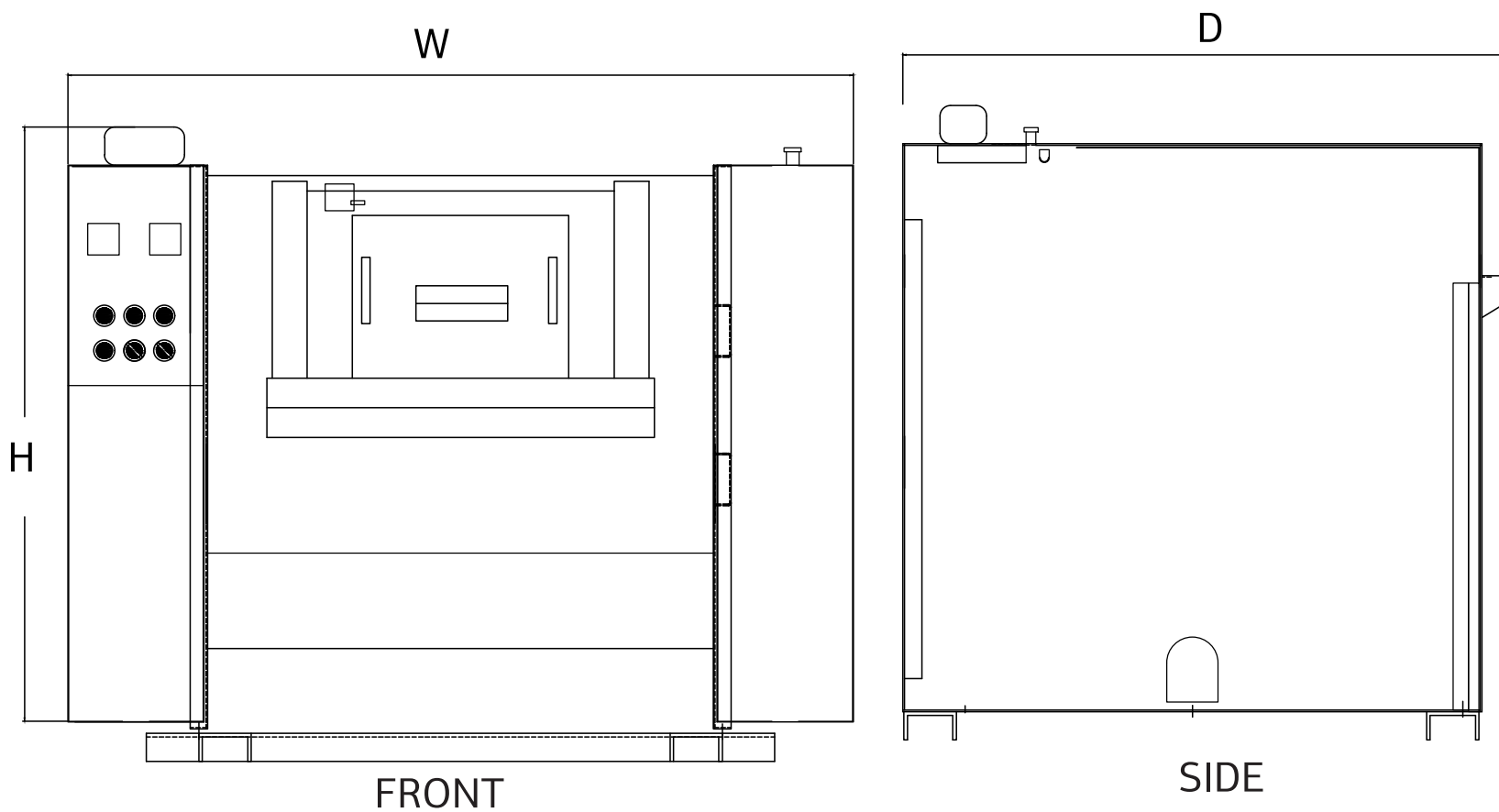
Made of Stainless Steel 304 to prevent possible rusting and corrosion caused by various detergents/chemicals used in washing.



Model	Capacity	Basket			Door Opening Diameter	Motor	Steam Inlet	Steam Pressure	Steam Consumption	Water Inlet	Drain Outlet	Heater (Optional)
		Volume	Diameter	Depth								
	(Kg)	(Ltr)	(mm)	(mm)	(mm)	(hp)	(inch)	(Bar)	(Kg/hr)	(inch)	(inch)	(kW)
RHW 10	10	120	700	310	285x220	1	0.5	4-5	10	1.5	1.5	6
RHW 15	15	230	700	600	310x310	1	0.5	4-5	15	1.5	1.5	6
RHW 30	30	440	790	900	370x370	2	1	4-5	30	2	3	9
RHW 50	50	712	900	1120	440x470	3	1	4-5	50	2	3	18
RHW 100	100	1448	1240	1200	585x570	7.5	1	4-5	100	2	5	27
RHW 200	200	2777	1240	2300	610x575x2	15	1x2	4-5	200	3x2	5	72

Model	Total Connected Load (Steam)	Total Connected Load (Electrical)	Dimensions (WxDxH)	Estimated Net Weight
	(kW)	(kW)	(mm)	(Kg)
RHW 10	0.75	6.75	930 x1120 x1000	240
RHW 15	0.75	6.75	1220x1120x1000	264
RHW 30	1.5	10.5	1690x1310x1330	600
RHW 50	2.25	20.25	1910x1380x1530	750
RHW 100	5.625	32.625	2220x1980x1840	1200
RHW 200	11.25	83.25	3460x1880x1750	1700

Steam option available for all models.



*The product features and images shown in this brochure are for representation purposes only. Features and specifications/consumption as shown may not be part of standard fitment and may vary. Specifications mentioned above are subject to change without notice.

HYDRO EXTRACTOR

Direct Drive Series (RDD)



Non Coaxial Series (RNC)



Hydro Inner Basket

Direct Drive Series

- Stainless steel inner basket and outer drum
- Inner basket is directly mounted on the drive motor
- Suspended motor with coaxial set-up
- Door lock mechanism with limit switch and braking system to ensure simple and safe operation
- Quick and self-balancing, less noise and vibration
- No belts or slip/speed loss
- High torque and heavy duty motor

Non-coaxial Series & Heavy Duty

- High capacity and energy efficient
- Auto controlled devices, timer and balance protection brake
- Pneumatic locking system, ensuring operator safety
- Special SG grade single frame casting





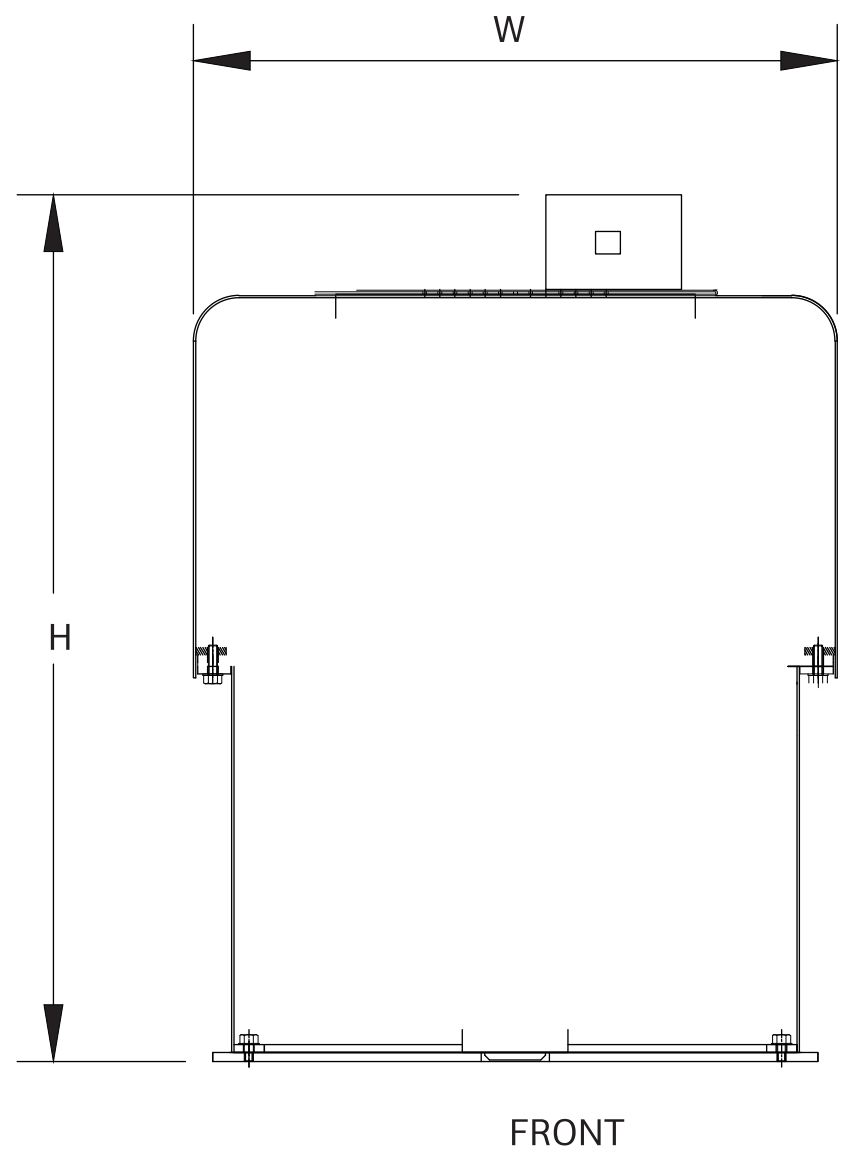
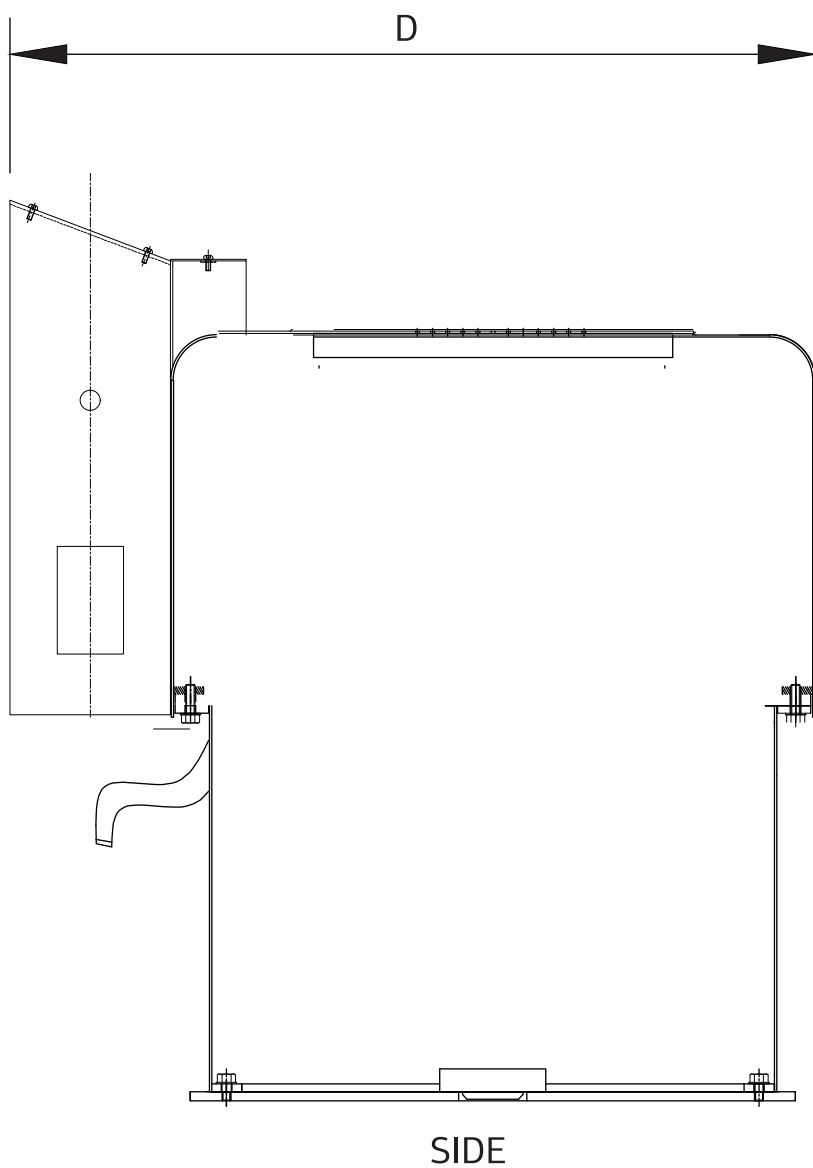
STAINLESS STEEL AND OUTER DRUM
The inner basket and the outer drum are made of stainless steel and the inner basket is directly mounted on the drive motor.



DIRECT DRIVE SELF BALANCING
The inner basket is directly mounted on the drive motor to ensure quick self balancing, with less noise and vibration.



Model	Capacity		Basket		Door Opening Diameter (mm)	Motor		Basket Speed (RPM)	G-Factor	Drain Outlet (inch)	Dimensions (WxDxH)	Estimated Net Weight (Kg)
	(Kg)	Volume (Ltr)	Diameter (mm)	Depth (mm)		(mm)	(hp)				(kW)	
RDD 15	15	60	510	320	350	2	1.5	980	275	2	800x930x1150	210
RDD 30	30	133	710	350	425	3	2.25	980	380	2	1000x1130x1220	280
RDD 50	50	258	915	400	600	5	3.75	960	470	3	1200x1400x1300	500
RNC 50	50	209	900	350	670	7.5	5.6	800	321	3	1800x1400x960	1156
RNC 100	100	352	1070	410	800	10	7.5	750	336	3	2100x1800x1200	1668



*The product features and images shown in this brochure are for representation purposes only. Features and specifications/consumption as shown may not be part of standard fitment and may vary. Specifications mentioned above are subject to change without notice.



UNIQUE TURNKEY SOLUTIONS



ROLL HEATED FLAT WORK IRONER



Major Features

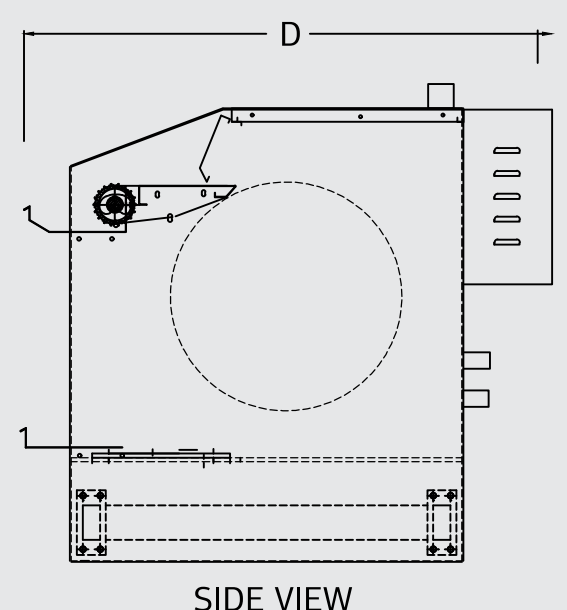
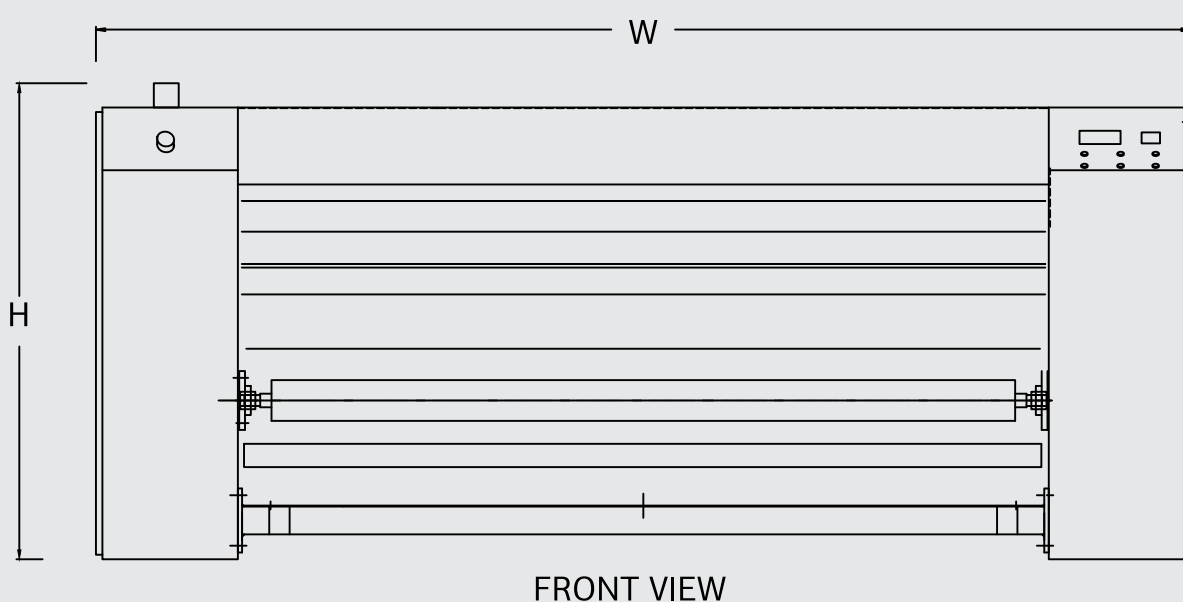
- Roll heated ironers are used to iron flat laundry items such as bedsheets, pillow covers, tablecloths etc
- A variable speed drive for different types of fabrics
- Imported feeding/heating belts

Roll Heated

- The roller mounted on bearings is driven by a motor and reduction gear box through a chain drive system
- The temperature of the roller surface is controlled by a digital controller
- The ironing belts pass around the heated roller.

The pressure of the belt and roller is controlled by a spring that automatically adjusts to the thickness of the linen

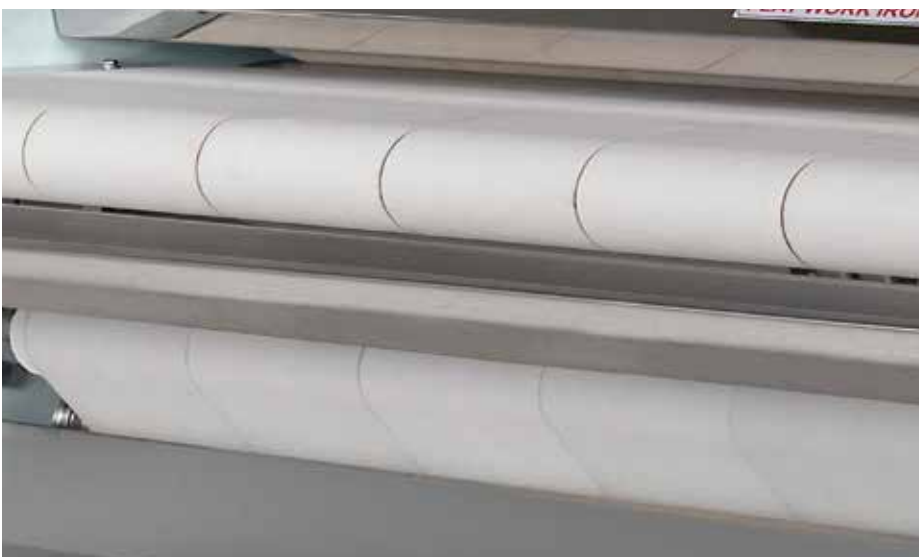
- The moisture from the linen will be removed by a centrifugal blower through a duct provided along the length of the roller
- Control Panel
 - Auto digital temperature control
 - Provided with Power On, Heater On light indicators, and Start, Stop, Emergency Stop, Speed Regulator and Forward/Reverse Roller Rotation switches
- Manual handle provided for safety





ELECTRICAL CONTROL PANEL

Control panel consists of digital speed indicator, ironing speed regulator, ironing temperature controller, Start and Stop buttons as well as an Emergency Stop button.



IMPORTED FEEDING BELTS/HEATING BELTS

Polyester feeding belts feed the linen into the ironer. The linen passes through the ironing belts and heated drum under pressure to achieve the required ironing finish. Ironing belts can withstand higher temperatures.



GEAR BOX DRIVE

Ironing speed is controlled through a reduction gear box which is driven by a variable frequency drive (inverter).



VARIABLE FREQUENCY DRIVE

Controls the speed of the ironer through VFD. It indicates the current drawn by the motor. Also shows any error such as overload or overcurrent.

Roll Heated Flat Work Ironer

Model	Roller Size		Heating Type	Ironing Speed (m/min) (Variable)	Drive Motor (hp)	Blower Motor (hp)	Steam Inlet (inch)	Condensate Outlet (inch)	Steam Pressure (Bar)	Steam Consumption (Kg)	Hot Air Exhaust Size (inch)	Electric Heating (Kw)
	Roller Diameter (mm)	Working Width (mm)										
	RFWI-0416S	400										
RFWI-0416E	400	1600	Electrical	1-5	1	0.75	NA	NA	NA	NA	4	24
RFWI-0420S	400	2000	Steam	1-5	1	0.75	0.5	0.5	5	40	4	NA
RFWI-0420E	400	2000	Electrical	1-5	1	0.75	NA	NA	NA	NA	4	30
RFWI-0430S	400	3000	Steam	1-5	1	0.75	0.5	0.5	5	60	4	NA
RFWI-0430E	400	3000	Electrical	1-5	1	0.75	NA	NA	NA	NA	4	30
RFWI-0630S	600	3000	Steam	1-5	1	0.75	1	1	5	90	4	NA
RFWI-0630E	600	3000	Electrical	1-5	1	0.75	NA	NA	NA	NA	4	36

Roll Heated Flat Work Ironer

Model	Total Connected	Dimension	Estimated Net
	Load	(WxDxH)	Weight
	(kW)	(mm)	(Kg)
RFWI-0416S	1.31	2400x1420x1200	700
RFWI-0416E	25.31	2400x1420x1200	700
RFWI-0420S	1.31	2800x1420x1200	800
RFWI-0420E	31.31	2800x1420x1200	800
RFWI-0430S	1.31	3800x1420x1200	1100
RFWI-0430E	31.31	3800x1420x1200	1100
RFWI-0630S	2.06	4000x1630x1250	1500
RFWI-0630E	38.06	3850x1630x1250	1500

*The product features and images shown in this brochure are for representation purposes only. Features and specifications/consumption as shown may not be part of standard fitment and may vary. Specifications mentioned above are subject to change without notice. Based on moisture content and type of fabric, output may vary and speed may need to be adjusted.



UNIQUE TURNKEY SOLUTIONS



CHEST HEATED FLAT WORK IRONER



Movable Chest Major Features

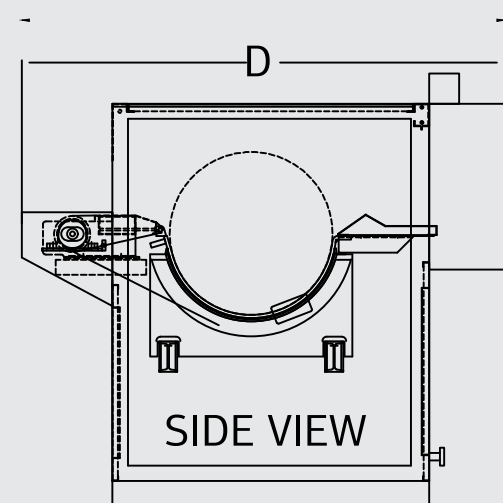
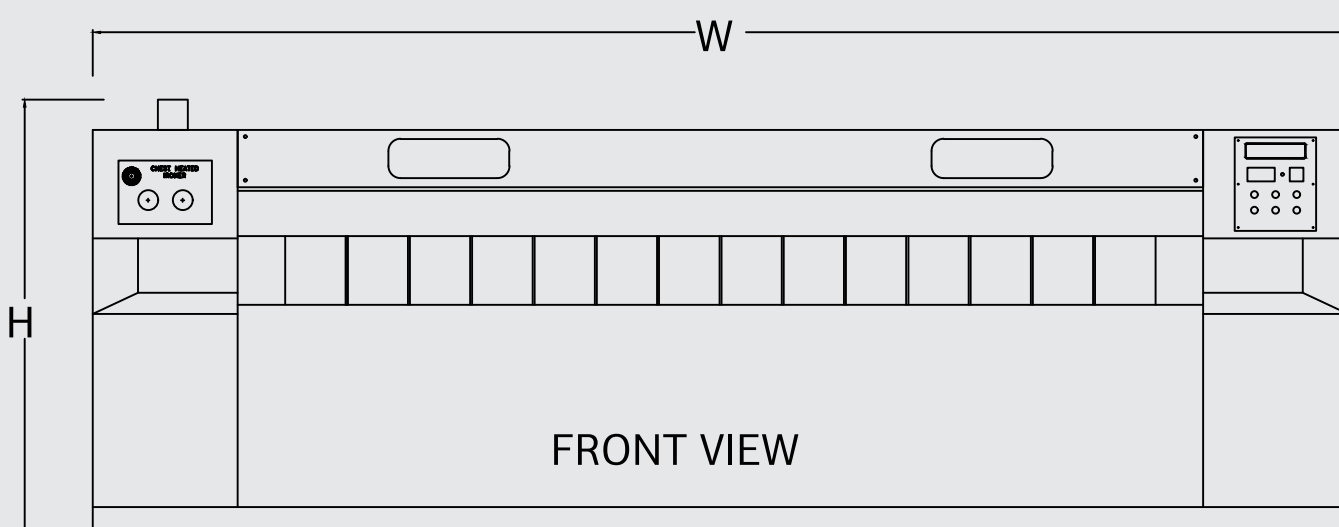
Industrial chest type ironer with fixed roller and movable chest.

- Uniform pressure throughout the entire width, ensuring high ironing quality
- Simple and reliable drive ensures easy operation and hassle free maintenance
- Springpress and padding come standard with all models and ensures a uniform roll and chest contact

- Moisture is removed by a strong suction blower
- Rockwool insulation ensures minimum heat loss and increases thermal output significantly

Fixed Chest Major Features

Industrial chest type ironer with movable roller and fixed chest





ELECTRICAL CONTROL PANEL

Control panel consists of digital speed indicator, ironing speed regulator, ironing temperature controller, Start and Stop buttons as well as an emergency stop push button.



CHEST HEATED

Constructed with special grade materials of P265GH, 70 grade, machined, polished and hard chrome plated to protect from rusting and for best ironing finishing. These chests are tested with a pressure of up to 21 Bar.



GEAR BOX DRIVE

Ironing speed is controlled through a reduction gear box which is driven by a variable frequency drive (inverter).



VARIABLE FREQUENCY DRIVE

Controls the speed of the ironer through VFD. It indicates the current drawn by the motor. Also shows any error such as overload or overcurrent.

Movable Chest

Model	Roller Size		No of Rollers	Heating Type	Ironing Speed	Drive Motor	Blower Motor	Steam Inlet	Condensate Outlet	Steam Pressure	Steam Consumption	Compressed Air Inlet
	Roller Diameter	Working Width										
	(mm)	(mm)										
RCI-60022S1R	600	2200	1	Steam	1-5	2	1	1	1	6-8	80	PU 12
RCI-60022E1R	600	2200	1	Electric	1-5	2	1	NA	NA	NA	NA	PU 12
RCI-6003S1R	600	3000	1	Steam	1-5	2	1	1	1	6-8	120	PU 12
RCI-6003E1R	600	3000	1	Electric	1-5	2	1	NA	NA	NA	NA	PU 12

Movable Chest

Model	Compressed Air Pressure	Hot Air Exhaust Size	Heater	Total Connected Load	Dimensions (WxDxH)	Estimated Net Weight
	(Bar)	(inch)	(kW)	(kW)	(mm)	(Kg)
RCI-60022S1R	5-7	5	NA	2.25	3360x1600x1350	1800
RCI-60022E1R	5-7	5	33	35.25	3360x1600x1350	1800
RCI-6003S1R	5-7	5	NA	2.25	4160x1600x1350	2250
RCI-6003E1R	5-7	5	45	47.25	4160x1600x1350	2250

Fixed Chest

Model	Roller Size		No of Rollers	Heating Type	Ironing Speed	Drive Motor	Blower Motor	Steam Inlet	Condensate Outlet	Steam Pressure	Steam Consumption	Compressed Air Inlet
	Roller Diameter	Working Width										
	(mm)	(mm)										
RDCI-80033S1R	800	3300	1	Steam	2-7	5	1	1.5	1x1,0.5x1	6-8	150	PU8
RDCI-80033S2R	800	3300	2	Steam	2-14	10	1x2	1.5	1x3	6-8	300	PU8

Fixed Chest

Model	Compressed Air Pressure	Hot Air Exhaust Size	Total Connected Load	Dimensions (WxDxH)	Estimated Net Weight
	(Bar)	(inch)	(kW)	(mm)	(Kg)
RDCI-80033S1R	5-7	5	4.5	4580x1995x1800	3350
RDCI-80033S2R	5-7	8	9.0	4580x3090x1800	6830

*The product features and images shown in this brochure are for representation purposes only. Features and specifications/consumption as shown may not be part of standard fitment and may vary. Specifications mentioned above are subject to change without notice. Based on moisture content and type of fabric, output may vary and speed may need to be adjusted.



UNIQUE TURNKEY SOLUTIONS



AUTOMATIC HIGH SPEED SHEET FOLDERS



These automatic folding machines are designed for folding all types of flat linen.

Types of Machines

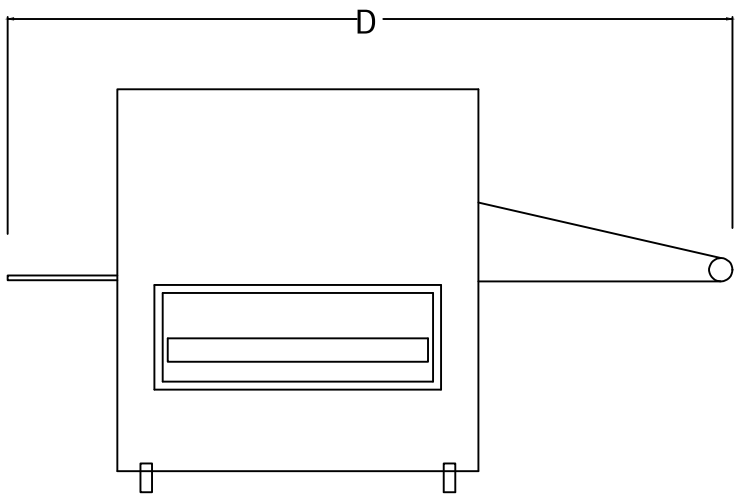
- Single lane folder accepts one sheet at a time (max width of 3300mm) and can create up to 2 primary and 3 cross folds

Special Features

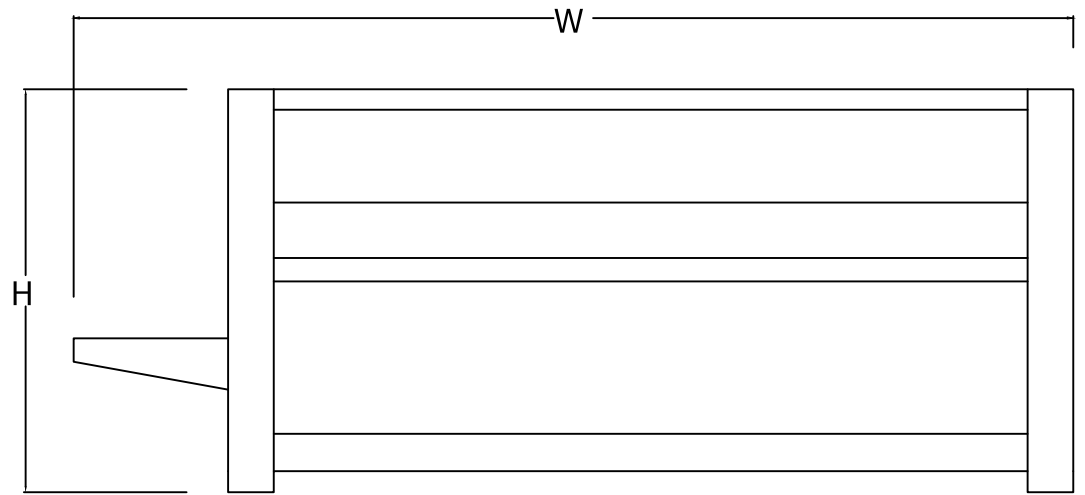
- A user-friendly touch screen with HMI display panel and PLC control system makes the equipment simple to operate and yet flexible in application
- Photoelectric control systems are used to detect and control the speed of the cloth transport length to deliver accurate folding measurements
- Folding speed of ≤ 50 m/min is controlled and adjusted by the inverter

- Automatic folding machine can greatly improve work efficiency and reduce labour when coupled with an automatic ironer for line operation
- The operational speed adjustment range is wide enough to match the different types of ironers
- Conveyor transportation speed of the folding machine can be synchronised with the ironer by electronic rotary encoders
- Safety operation control features for easy troubleshooting and daily maintenance
- Maximum length of 3300 x 3300 mm width
- Provided with self diagnostic functions and fault alarm systems with display
- High quality bearings and inverters are used for durability and longevity

Model	Max Folding		Max Speed	Air Pressure	Compressed Air Inlet	Rated Input Power	Dimension (WxDxH)	Estimated Net Weight	Power System
	Length (mm)	Width (mm)							
IGF1L-2L3C	3300	3300	≤ 50	5-8	PU12	2.05	4290x3090x1740	1600	3PH, 415V, 50Hz AC



SIDE VIEW



FRONT VIEW



*The product features and images shown in this brochure are for representation purposes only. Features and specifications/consumption as shown may not be part of standard fitment and may vary. Specifications mentioned above are subject to change without notice.



UNIQUE TURNKEY SOLUTIONS

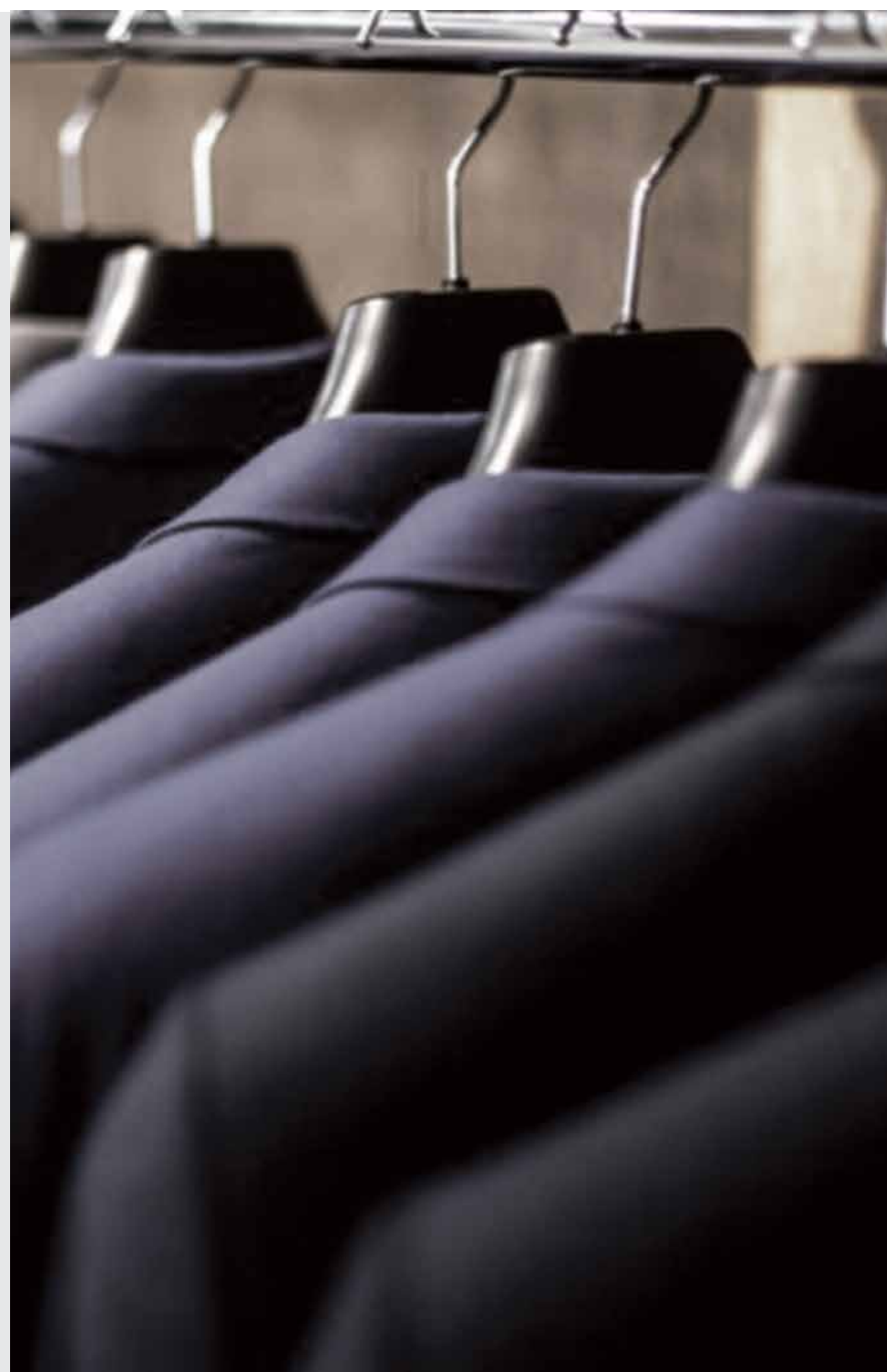


DRY CLEANING MACHINE

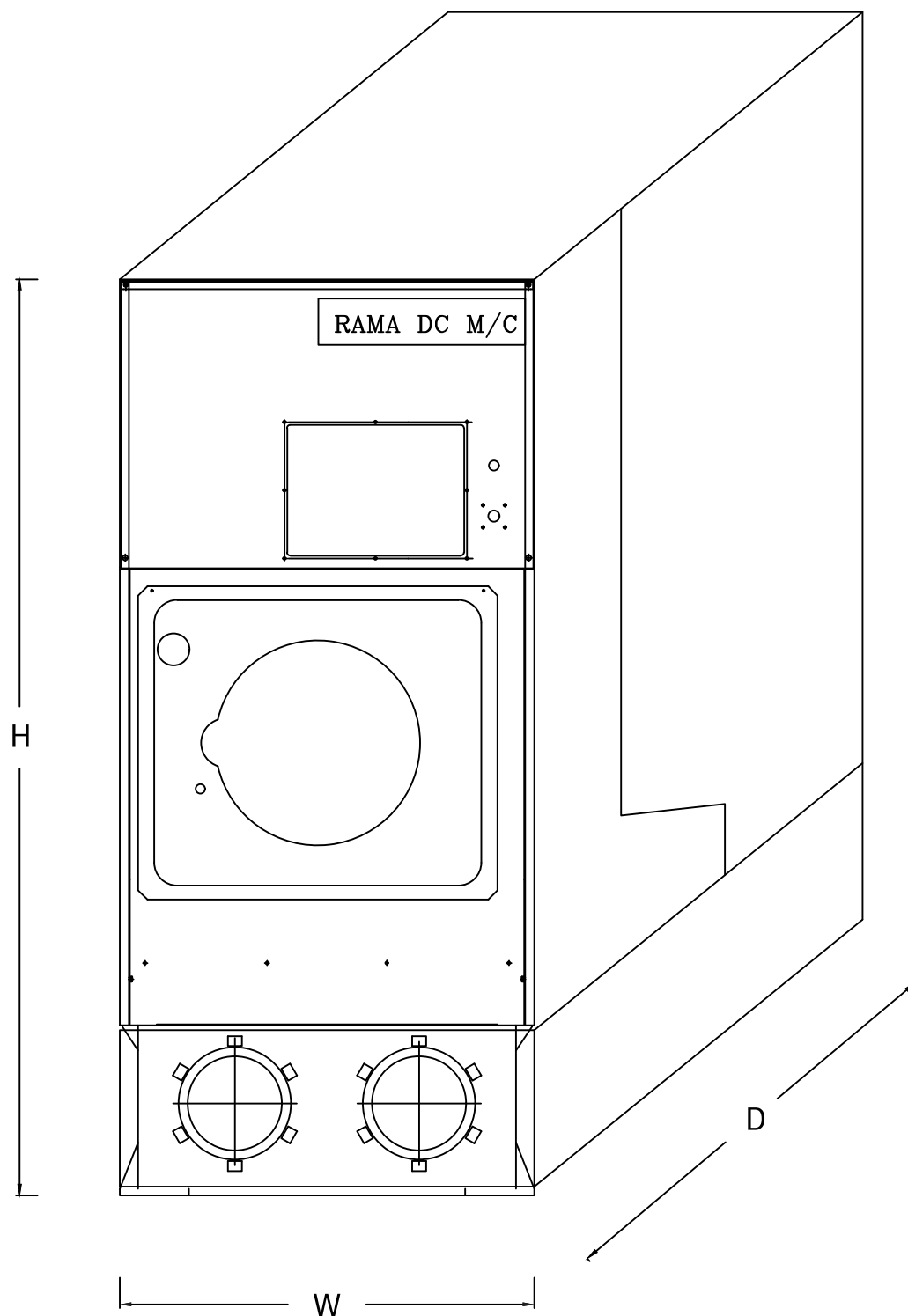


Special Features

- The large still unit allows for faster distillation and recovery of solvent
- Optional features
 - Available in steam and electric heating
 - Self cleaning button trap
 - Additional water separator
 - Sludge pumps
- Inbuilt imported refrigeration unit and compressor
- Available in 2 tank and 3 tank models
- Safety door limit switch for operator safety
- PLC controlled



Model	Capacity		Drum		Number of Tanks	Distiller Capacity (Ltr)	Filters	Power	Power	Dimensions (WxDxH) (mm)	Estimated Net Weight (Kg)
	(Kg)	Volume (Ltr)	Diameter (mm)	Depth (mm)				(Motor) (kW)	(Heater) (kW)		
	RAMA 208	8	167	700				436	2		
RAMA 212	12	241	800	480	2	106	1	4	9.6	1670x1415x1950	1210
RAMA 312	12	241	800	480	3	106	1	4	9.6	1670x1415x1950	1230



*The product features and images shown in this brochure are for representation purposes only. Features and specifications/consumption as shown may not be part of standard fitment and may vary. Specifications mentioned above are subject to change without notice.



UNIQUE TURNKEY SOLUTIONS



FINISHING LINE PRESSES (BODY PRESSES)



Flat Bed Press

Special Features

- Stainless steel upper buck head—Effectively transfers the heat at precisely and right amount of pressure uniformly throughout the garment
- Lower buck provided with heat resistant fabric
- Dry cleaning presses provide a padded head that prevents any shine developing on the garment
- Different types of presses for different types of garments such as shirts, trousers etc

Safety Features

- Twin operating push button system for operator safety
- Emergency OFF switch and safety guard

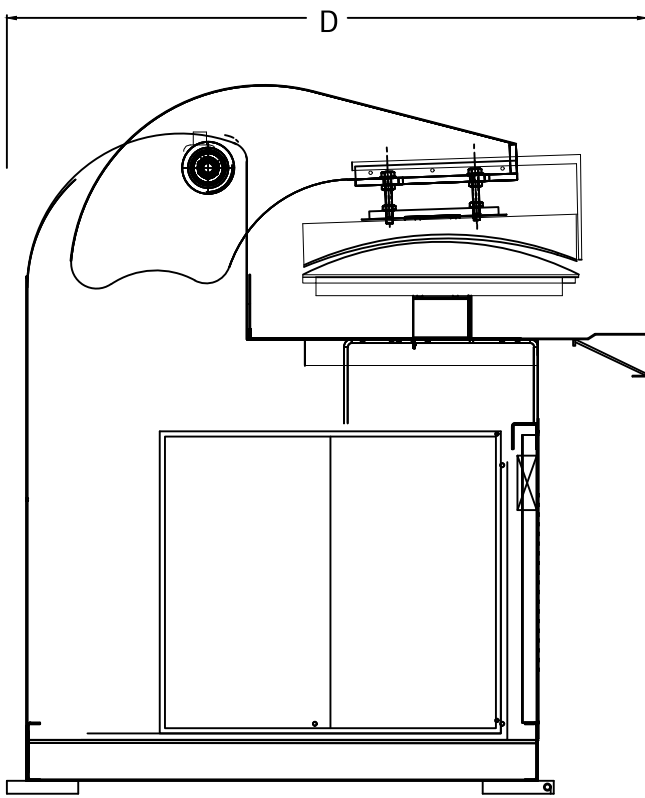




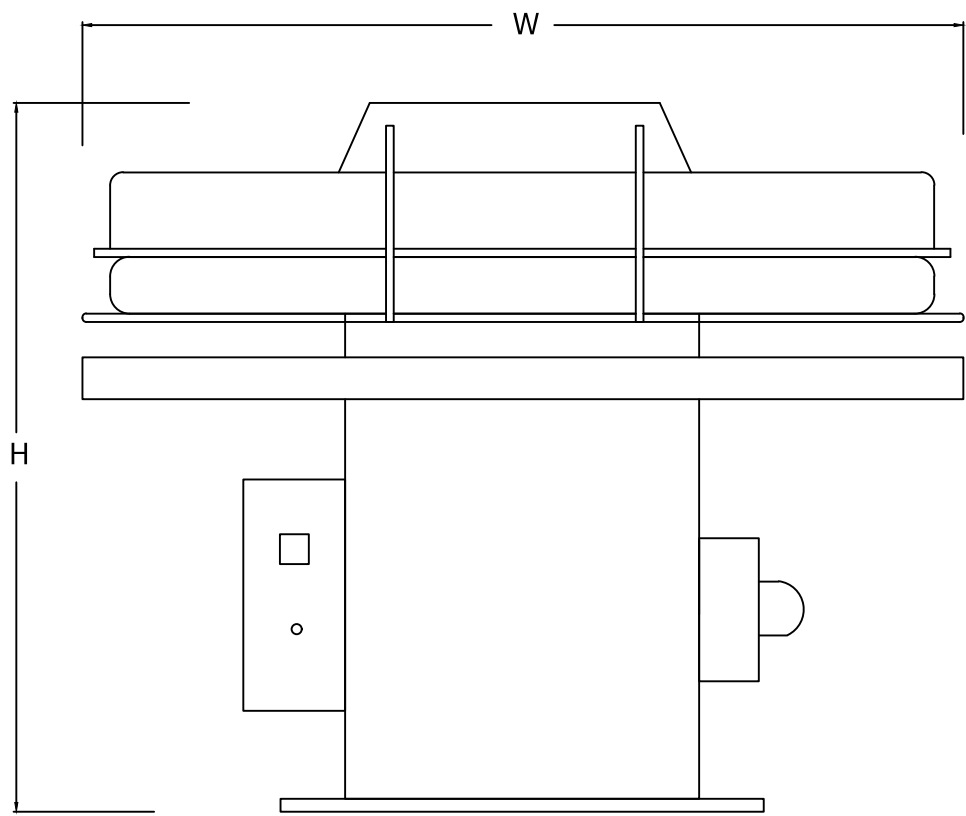
Multi-form Finisher



RBBP



SIDE VIEW



FRONT VIEW

*The product features and images shown in this brochure are for representation purposes only. Features and specifications/consumption as shown may not be part of standard fitment and may vary. Specifications mentioned above are subject to change without notice.

FINISHING LINE PRESSES (BODY PRESSES)



RULP



RYCCP

Special Features

- Pneumatically operated, steam/electric heated upper buck
- Stainless steel upper buck
- Heavy duty pneumatic cylinder for better pressing
- Adjustable pressure gaps between the upper and lower bucks
- Twin push button system for operator safety
- Easy maintenance with a transparent front and easily removable back cover



Model	Description	Steam Inlet	Condensate Steam Outlet	Steam Consumption	Steam Pressure	Compressed Air Inlet	Compressed Air Pressure	Vacuum Motor	Vacuum Size	Heater	Total Connected Load for Steam	Total Connected Load for Electrical
		(Inch)	(Inch)	(Kg/hr)	(Bar)	(mm)	(Bar)	(Hp)	(Inch)	(kW)	(kW)	(kW)
IFBP	Flat Bed Press	0.5	0.5	18	5-6	PU 8	4-6	0.75	4	18	0.6	18.6
RULP	Utility Laundry Press	0.5	0.5	18	5-6	PU 8	4-6	NA	NA	9	NA	9
RBBP	Body Bossom Press	0.5	0.5	18	5-6	PU 10	4-6	NA	NA	6	NA	6
RUDP*	Utility Dry Clean Press	0.5	0.5	18	5-6	PU 8	4-6	0.75	4	NA	0.6	NA
RMDP*	Mushroom Dry Clean Press	0.5	0.5	18	5-6	PU 8	4-6	0.75	4	NA	NA	Na
RCCP*	Cuff & Collar Press	0.5	0.5	18	5-6	PU 8	4-6	0.75	4	NA	0.6	NA
RYCCP*	Yoke Cuff & Collar Press	0.5	0.5	18	5-6	PU 8	4-6	0.75	4	NA	0.6	NA
RMFF*	Multi Form Finisher	0.5	0.5	18	5-6	NA	NA	0.75	NA	NA	0.6	NA
RMBP*	Mushroom Body Press	0.5	0.5	18	5-6	PU 8	4-6	NA	NA	NA	NA	NA

Model	Dimensions WxDxH	Estimated Net Weight
	(mm)	(Kg)
IFBP	1570x1350x1250	600
RULP	1380x1130x1250	460
RBBP	1200x850x1230	325
RUDP*	1380x1130x1250	460
RMDP*	965x1065x1250	320
RCCP*	1380x1130x1250	425
RYCCP*	1380x1090x1250	460
RMFF*	525x790x1270	115
RMBP*	965x1065x1250	320

Available only in steam heating.
For RULP, RBBP and RMBP models,
the vacuum motor is optional.



*The product features and images shown in this brochure are for representation purposes only. Features and specifications/consumption as shown may not be part of standard fitment and may vary. Specifications mentioned above are subject to change without notice.



Large Installation Base

UNIQUE TURNKEY SOLUTIONS



60 years

DRESS O MATIC



Dress O Matic

DRESS O MATIC

- Ironing table with heated surface
- Powerful suction and blowing
- Adjustable iron rest arm
- Overhead lighting
- Flexible hose exhaust outlet—Can be routed outside to avoid noise, heat and moisture
- Adjustable table surface height

VEIT RV 4235

- Flat top suction ironing table with optional swivel arm with buck for ironing of specific parts of the garment
- Ironing table with 3 height adjustable levels
- Option of suction ironing table with blower available





POWERFUL SUCTION

Suction is considered good for an ironing surface because it grips the garment firmly to avoid wrinkles or slippage while ironing. It also removes and dispels excess steam/ condensate applied on the garment while ironing.



SILICON PADDING

A special mat that can withstand the original uniform flatness, thickness and porousness while working under temperatures higher than 180°C, steam temperature and air flow.



Model	Motor (kW)	Power Supply	Electrical Boiler	Electrical Heated	Table Surface	Dimensions WxDxH	Estimated
				Steam Press	Heater		Net Weight
			(kW)	(kW)	(kW)	(mm)	Approx (Kg)
RDOM	0.55	3Ph, 415V, 50 Hz AC	6	0.8	0.8	1900x800x2100	180

Model	Description	Working Size	Width	Depth	Height	Working Area Height	Vacuum Motor	Estimated Net Weight
		(mm)	(mm)	(mm)		(mm)	(hp)	Approx (Kg)
RV 4235	Ramsons-Veit Dress Board	1000x320/240	1380	400	1100	850	0.75	75

Dress Board



*The product features and images shown in this brochure are for representation purposes only. Features and specifications/consumption as shown may not be part of standard fitment and may vary. Specifications mentioned above are subject to change without notice.

VACUUM IRONING EQUIPMENT



Vacuum Ironing Table

VEIT RV 4425-80

- Flat top suction ironing table with optional swivel arm with buck for ironing of specific parts of the garment
- Ironing table with 3 height adjustable levels
- Tray to hold finished garments





POWERFUL SUCTION

Suction is considered good for an ironing surface because it grips the garment firmly to avoid wrinkles or slippage while ironing. It also removes and dispels excess steam/condensate applied on the garment while ironing.



SILICON PADDING

A special mat that can withstand the original uniform flatness, thickness and porousness while working under temperatures higher than 180°C, steam temperature and air flow.



Model	Description	Working Size	Width	Depth	Height	Working Area Height	Vacuum Motor	Estimated Net Weight
		(mm)	(mm)	(mm)	(mm)	(mm)	(hp)	Approx (Kg)
RV 4425-80	Ramsons-Veit Table	1300x800	1500	920	1400	800	0.75	100

Model	Voltage	Power	Temperature	Estimated Net Weight
	(V)	(kW)	(°C)	Approx (Kg)
RV 2128	220	0.8	210	1.7

Model	Dimensions (LxB)	Steam Pressure	Estimated Net Weight
	(mm)	(Bar)	Approx (Kg)
RSP 620	200x142	4.5	1.6

Steam/Electric Press RV 2128

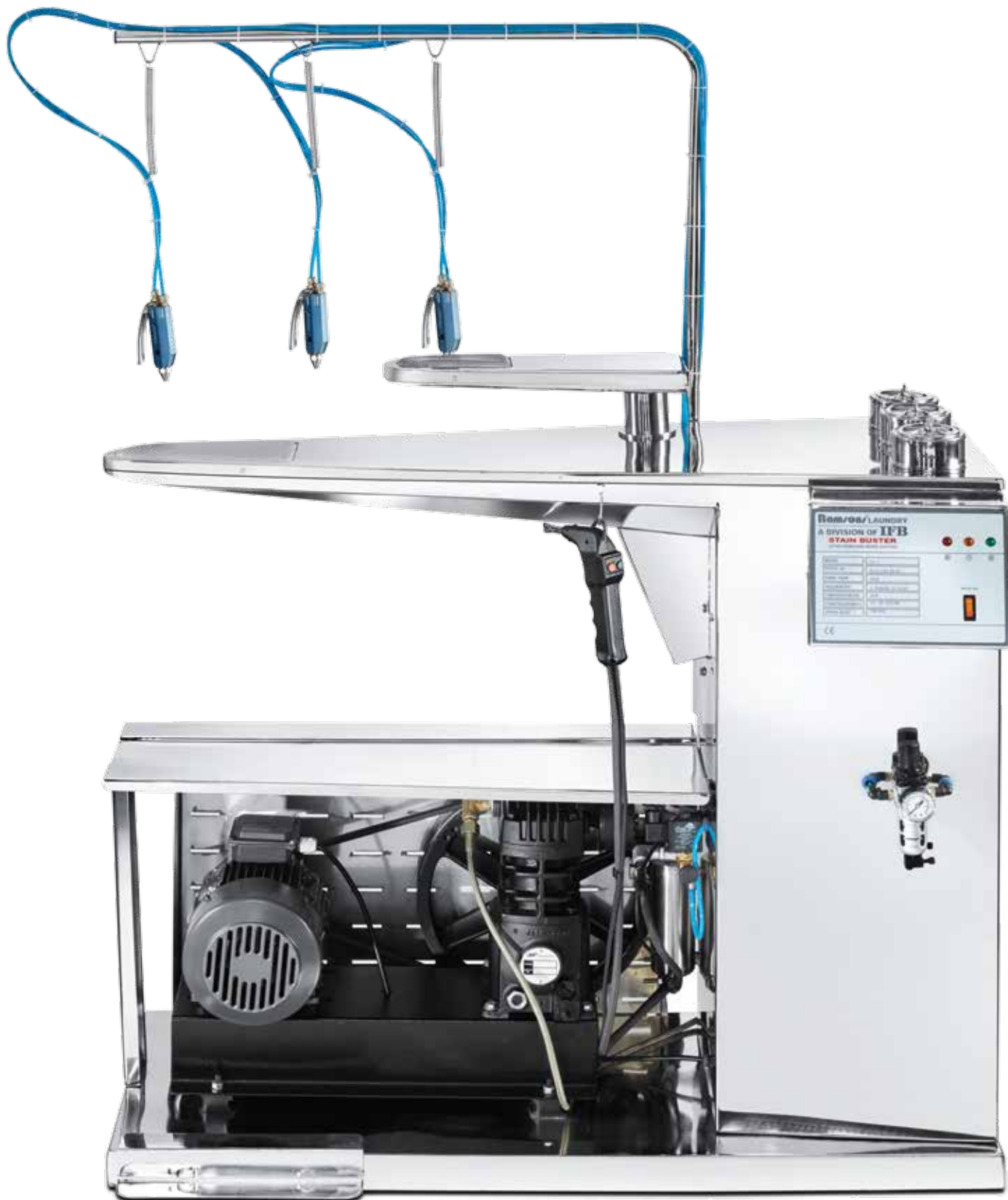


Steam Iron RSP 620



*The product features and images shown in this brochure are for representation purposes only. Features and specifications/consumption as shown may not be part of standard fitment and may vary. Specifications mentioned above are subject to change without notice.

STAIN REMOVING MACHINES



CL 1

Special Features

- Inbuilt compressor and boiler (optional)
- Three cold spotting guns (optional)
- Air/steam guns and two stainless steel bucks with suction (foot operated)
- Ample space for chemical storage cup
- This machine is perfect for removing heavy stains in sectors such as hospitality, healthcare etc.
- The special removing chemical is dispensed from the spotting guns at high pressure
- High pressure air and steam comes from the black gun placed below, which is then dispensed on the stained area of the cloth.
- The chemical combination of special detergent, air and steam at high pressure removes the stain from the fabric



CL 7

Model	Compressor	Steam Consumption	Steam Inlet	Suction Motor	Chemical Guns	Steam Air Guns	Chemical Cups	Bucks	Compressor Air Pressure	Dimension WxDxH (mm)	Estimated Net Weight (Kg)
	(hp)	(Kg)	(inch)	(hp)					(Bar)		
CL 1	2	8	0.25	0.75	3	1	3	1	5-7	1150x680x1560	150
CL 7	-	8	0.25	0.75	2	1	2	1	5-7	1150x680x1560	100

*The product features and images shown in this brochure are for representation purposes only. Features and specifications/consumption as shown may not be part of standard fitment and may vary. Specifications mentioned above are subject to change without notice.



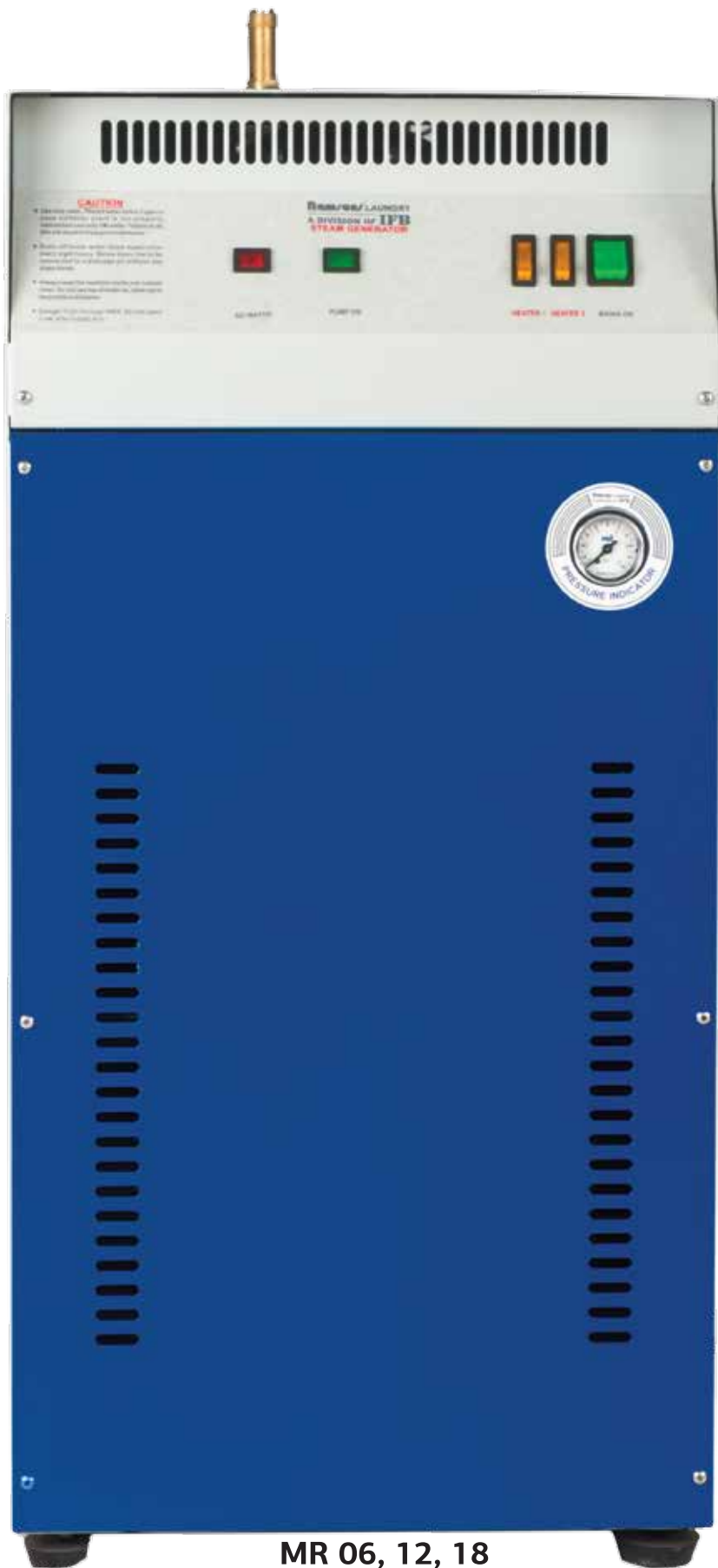
Large Installation Base

UNIQUE TURNKEY SOLUTIONS



60 years

ELECTRICAL STEAM GENERATORS



MR 06, 12, 18

Special Features

- Wide range with various capacities and options
- Specially designed safety mechanism
- Blow down system
- Compact, reliable and easy to use
- Electro polished stainless steel heater element
- Protected by thermostats and level controllers
- High pressure water feed pump
- Pump is protected with feed water tank probe sensor system to avoid any failure due to dryness



MR 27



MR 02



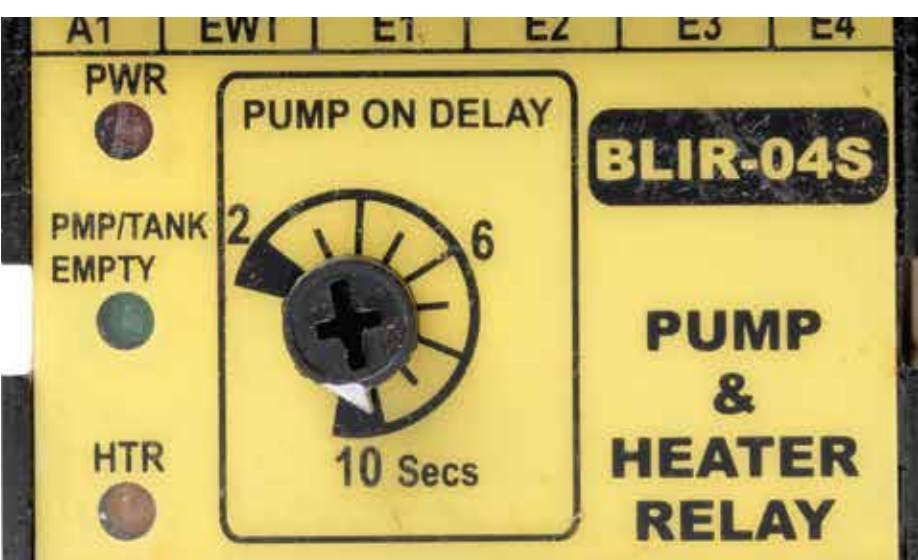
SS HEATING ELEMENT

The outer tubes of the heating elements are made of stainless steel, thereby ensuring efficiency and longevity.



WATER FEED PUMP

The automatic water feed pump is regulated by the water level controller, ensuring adequate water levels.



WATER LEVEL REGULATOR

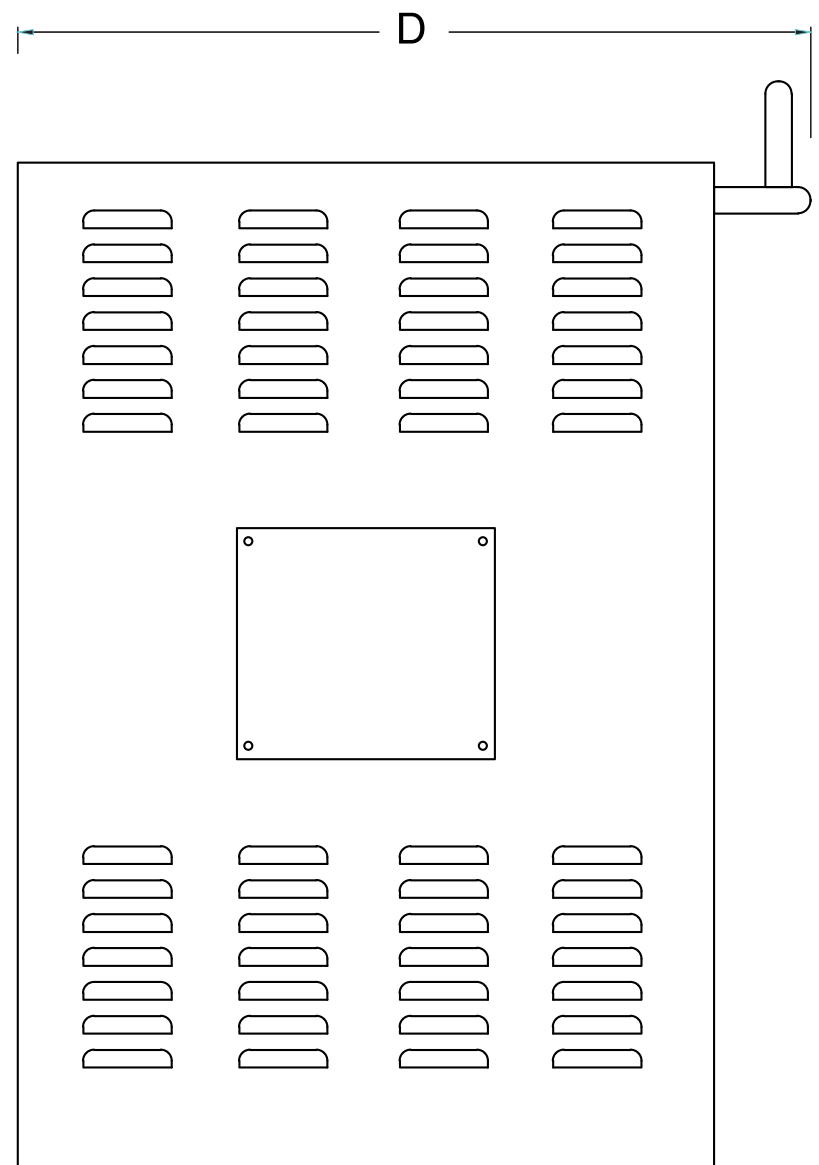
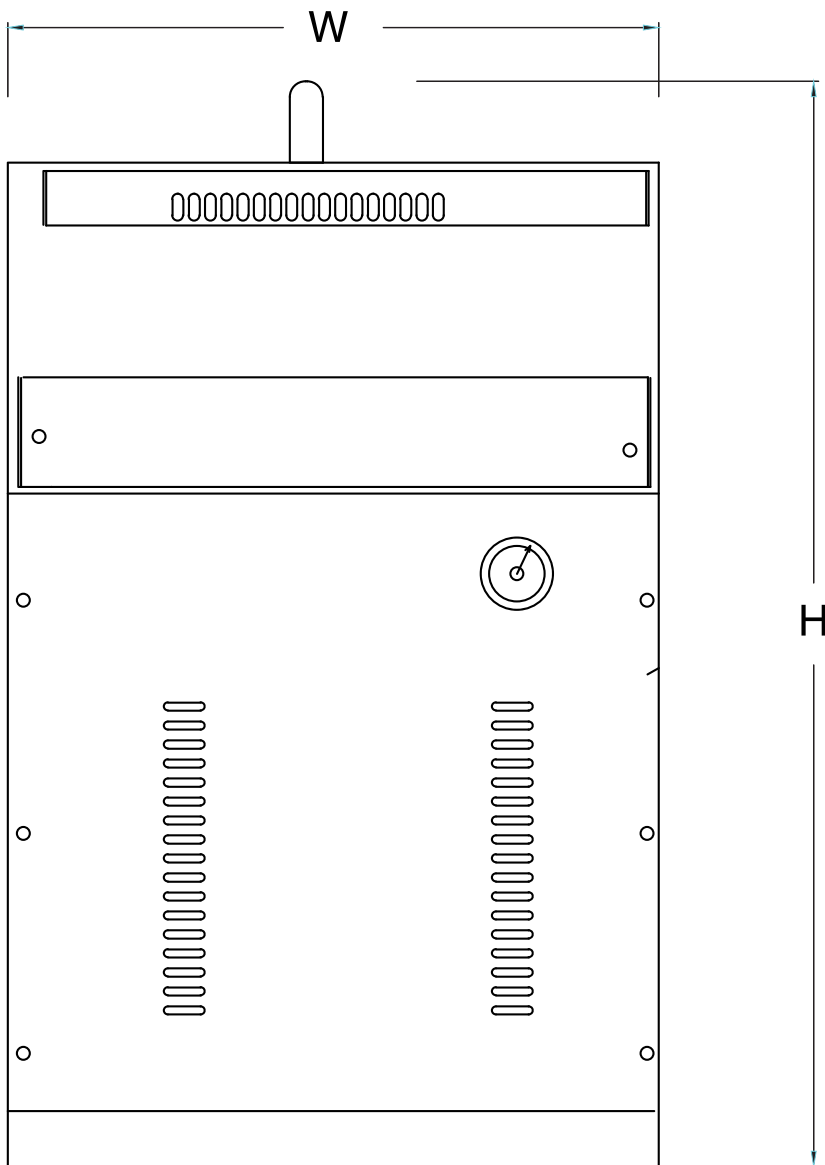
An electronic device receives input signals from sensor probes placed at critical water levels within the boiler shell.



Model	Heater Capacity	Steam Output	Operating Pressure	Water Inlet	Steam Outlet	Suitable for Number of Irons	Blow Down Outlet	Water Pump	Total Connected Load (kW)	Dimensions WxDxH	Estimated Net Weight (Kg)
	(kW)	(Kg/hr)	(Bar)	(inch)	(inch)		(inch)	(hp)		(mm)	
MR 02 (Jumbo)	2	2	3	0.5	0.25	1	0.25	NA	2	370x400x550	20
MR 03 (Jumbo)	3	4	3	0.5	0.25	1	0.25	NA	3	370x400x550	20
MR 06 (2 TB)	6	8	3.5	0.5	0.5	2	0.5	1	6.75	360x500x740	56
MR 12 (4 TB)	12	16	3.5	0.5	0.5	4	1	1	12.75	350x740x890	83
MR 18 (6 TB)	18	24	3.5	0.5	0.5	6	1	1	18.75	400x740x890	95
MR 27 (10-12 TB)	27	36	3.5	0.5	0.5	10-12	1	1	27.75	750x950x950	152

Recommended water hardness less than 10 ppm

Blow down to be done once every 4-8 hours to a closed drainage system for safety



*The product features and images shown in this brochure are for representation purposes only. Features and specifications/consumption as shown may not be part of standard fitment and may vary. Specifications mentioned above are subject to change without notice. *Consumption and output data were measured under test conditions and may vary based on usage.

MULTI FUEL IBR STEAM GENERATORS



Special Features

- Available for operation using diesel/LPG
- Manufactured as per IBR regulations
- The IBR inspectorate authority stamps each boiler with a serial number and issues a certificate
- IBR certified safety valves are used
- Burners ensure high fuel economy
- Powder coated cabinets
- Water level indicators
- Electronic water level controllers





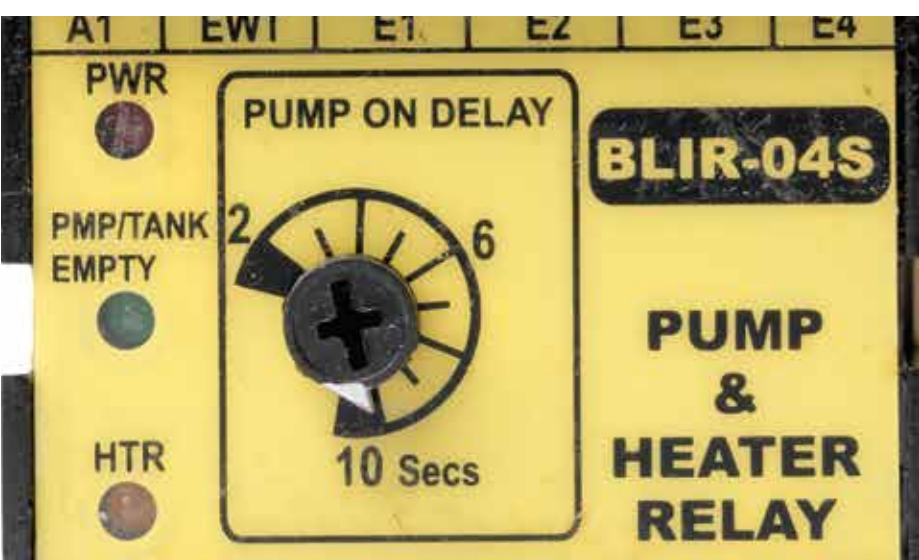
BURNER

Automatic burners are provided in IBR approved boilers. These special diesel fired/gas fired burners are tested, certified, approved and proven for safety and high efficiency performance.



WATER FEED PUMP

The automatic water feed pump is regulated by the water level controller, ensuring adequate water levels.



WATER LEVEL REGULATOR

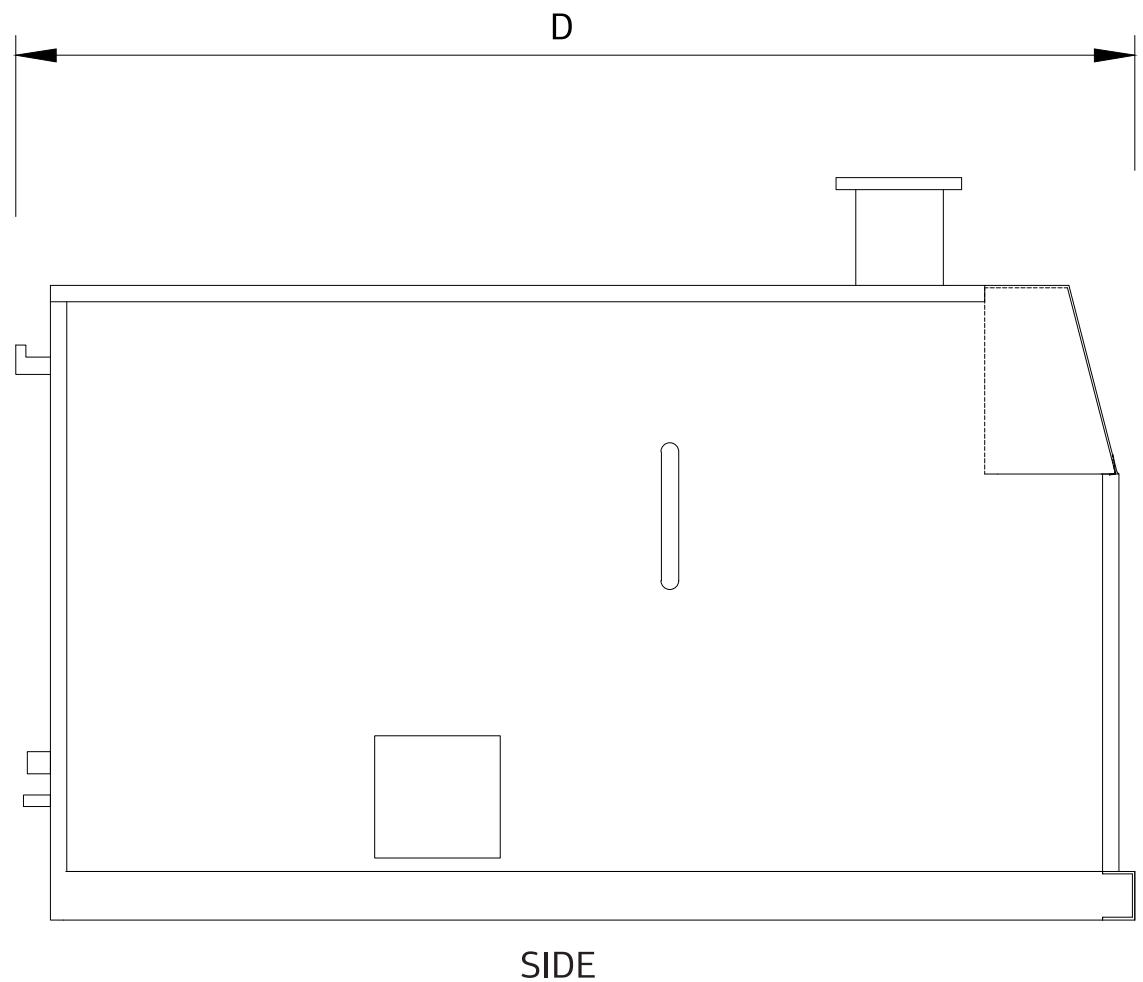
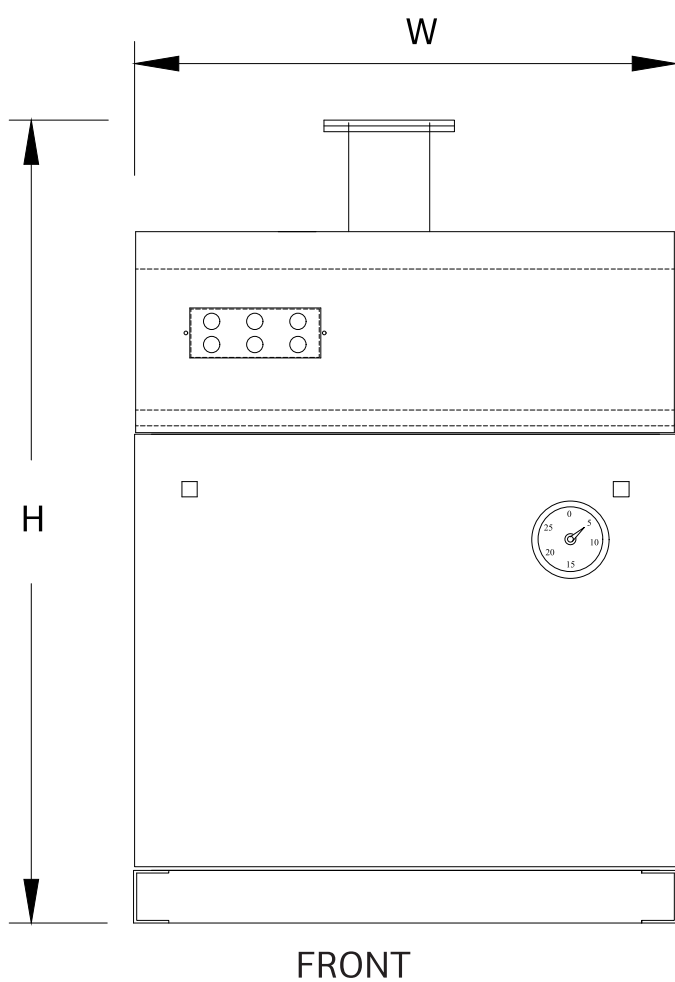
An electronic device receives input signals from sensor probes placed at critical water levels within the boiler shell.



Model	Steam Output	Operating Pressure	Water Inlet	Steam Outlet	Diesel Consumption	Gas Consumption	Gas Operating Pressure	Gas Inlet	Water Pump Capacity	
	(Kg/hr)	(Bar)	(inch)	(inch)	(Ltr/hr)	(Kg/hr)	(Millibar)	(inch)	(hp)	(kW)
ROFB 707	50	5	0.5	0.5	3.5	2.5	30-50	0.5	1	0.75
ROFB 708	100	5	0.75	1	5	4.5	30-50	0.5	1	0.75
ROFB 709	200	5	0.75	1	10	9	30-50	0.5	1	0.75
ROFB 710	300	5	0.75	1	14	13	30-50	0.5	1	0.75

Model	Dimensions (WxDxH)	Estimated Net Weight
	(mm)	(Kg)
ROFB 707	890x1780x1200	650
ROFB 708	1050x2210x1300	825
ROFB 709	1220x2700x1530	950
ROFB 710	1150x3215x1380	1300

Recommended water hardness less than 10 ppm
Blow down to be done once every 4-8 hours to a closed drainage system for safety



*The product features and images shown in this brochure are for representation purposes only. Features and specifications/consumption as shown may not be part of standard fitment and may vary. Specifications mentioned above are subject to change without notice.
*Consumption and output data were measured under test conditions and may vary based on usage.

COCOON STEAMER



Special Features

- A powerful and portable garment steam finisher
- Unique energy saving design with multiple safety features
- Ergonomic design

Model	Voltage	Power	Weight
	(V)	(kW)	(Kg)
C1	120-220	Preheat 0.20	7.6



ALLIED EQUIPMENT

RamsonsTM LAUNDRY
A DIVISION OF IFB

TUFFTEC



Packing Machine

Special Features

- Garments neatly packed in folders or put on hangers
- Ensures clean and neat delivery
- Can be customised



Marking Machine

Special Features

- Identification of garments to prevent mix-up
- Colour coded and numerical tags that adhere firmly but peel off easily



Shirt Folder

Special Features

- Neatly folded shirts
- Ensures operator comfort and speed
- Pneumatic semi-automatic operation

WORK AID EQUIPMENT



Wet Trolley



Dry Linen Cage Trolley



Hanger Trolley

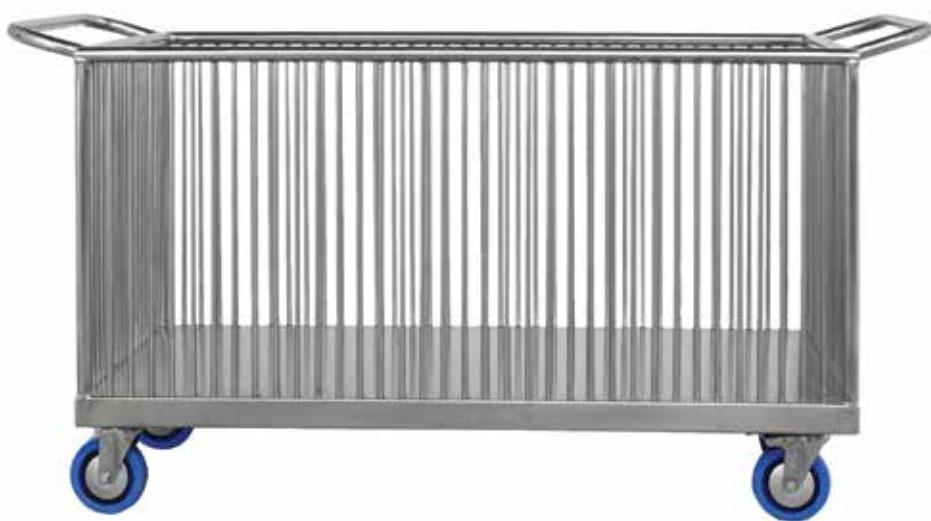
Customisable Accessories

- A wide range of accessories, providing solutions for all industrial laundry room requirements
- Fully customisable with made-to-order products to complement a wide range of new or existing laundry assemblies
- Supplied with shorter lead time

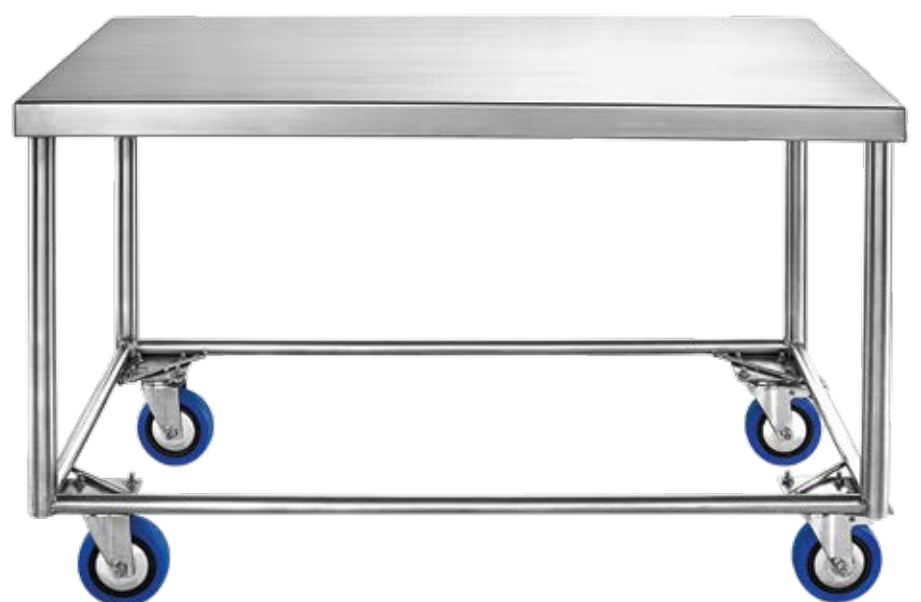
Model	Dimensions
	WxDxH (inch)
Wet Trolley	37x 25x32
Dry Trolley	37x25x32
Wash Room Trolley	36x24x34
Single Unit Sink	48x24x30
Mobile Shelf Trolley	48x24x60
SS Mobile Trolley/Table	57x24x34
	79x24x34
Hanger Rail Trolley	36x24x60
Dry Linen Cage Trolley	42x24x48
Shelf Storage Trolley with 3 Sides Support	48x24x60
Inspection & Folding Table	60x36x30
Double Unit Sink	63x24x40



Mobile Shelf Trolley



Washroom Trolley



**Inspection & Folding Table
without Under Shelf**

**The product features and images shown in this brochure are for representation purposes only. Features and specifications/consumption as shown may not be part of standard fitment and may vary. Specifications mentioned above are subject to change without notice.*



SMART
\$AVE

MONEY **WATER** **POWER** **RESOURCES**

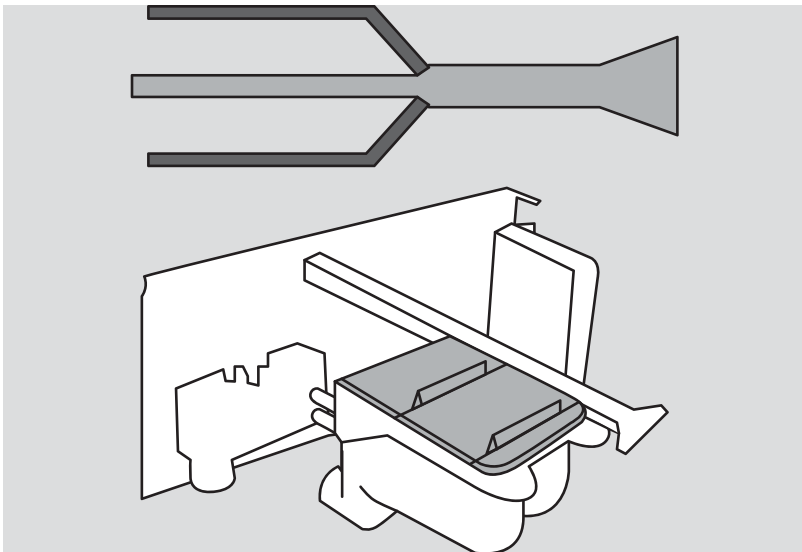
SMARTTEC

Presenting the premium IFB industrial laundry range, with international certifications and water, detergent and energy saving features.



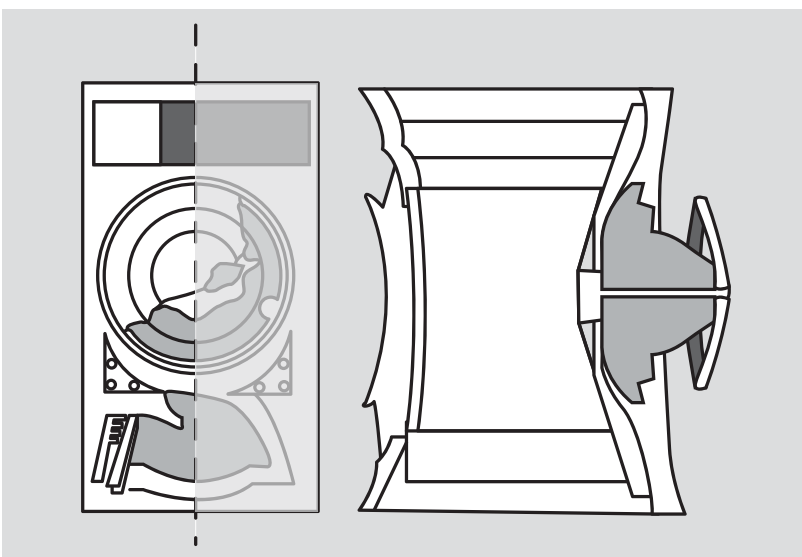
WASHER FEATURES

SMARTEC



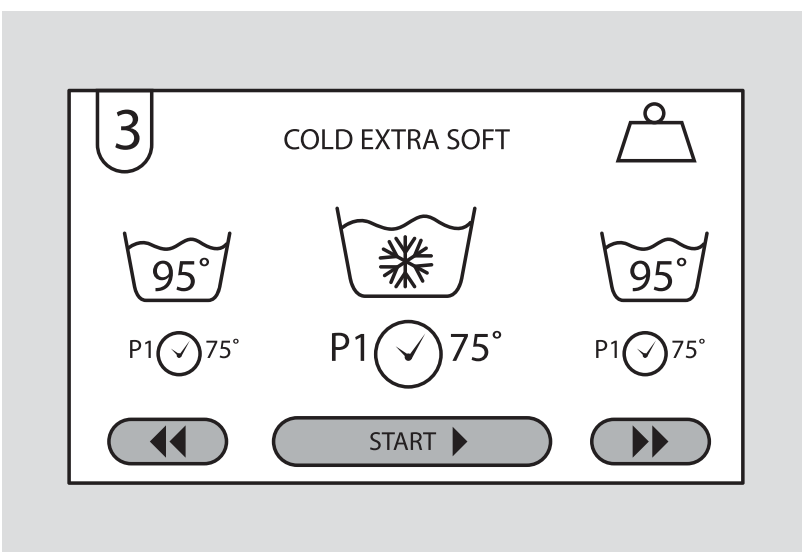
Efficient Mix

An automatic water mixer provides energy savings and reduces washing time. The range also includes a new soap dosing system, water ducts and an easy detergent connection.



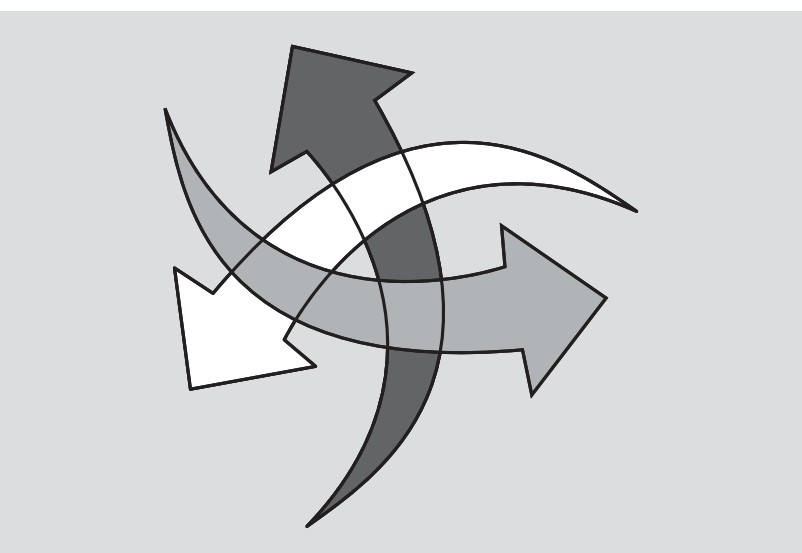
Balance Control

The washers detect the imbalance at an early stage, enabling smoother operation and extending component life, while also reducing washing time and saving energy.



Touch Plus Control

New microprocessor with touch screen and easy programming as well as other features that offer flexibility and energy savings.



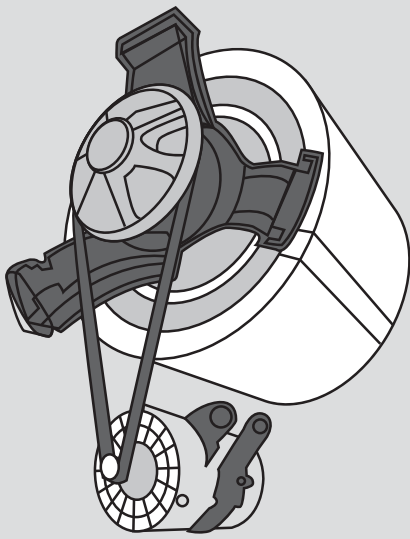
Multi-Choice Inlet

All washers are equipped with a third water inlet that saves filling time and can be used for soft water, ozone or recycled water.



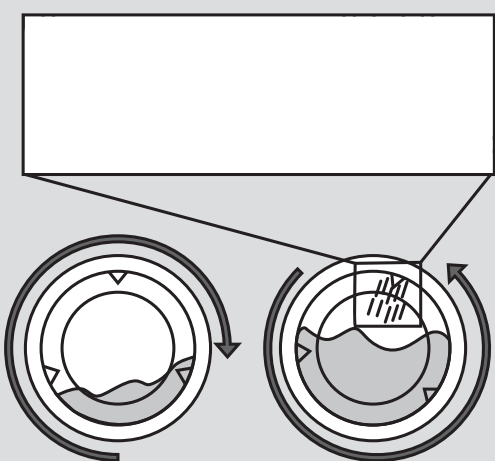
Wet Cleaning

All washers have the necessary features to use the wet cleaning system, avoiding an investment in expensive applications to work with this advanced washing concept.



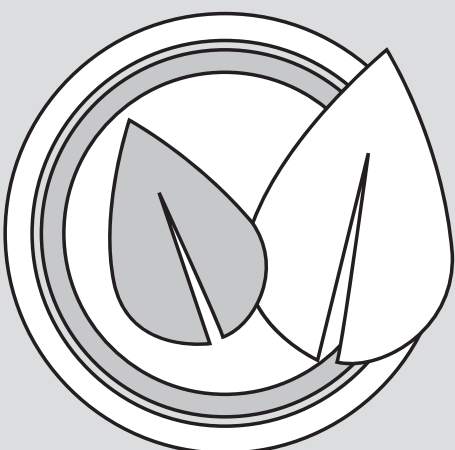
Maintenance Care

A simple but reliable design with easy-to-access mechanical parts, which perfectly combines the use of intelligent electronics.



Optimised Drum

Small perforations in the ribs of the drum, help maximise wash quality and reduce cycle time.

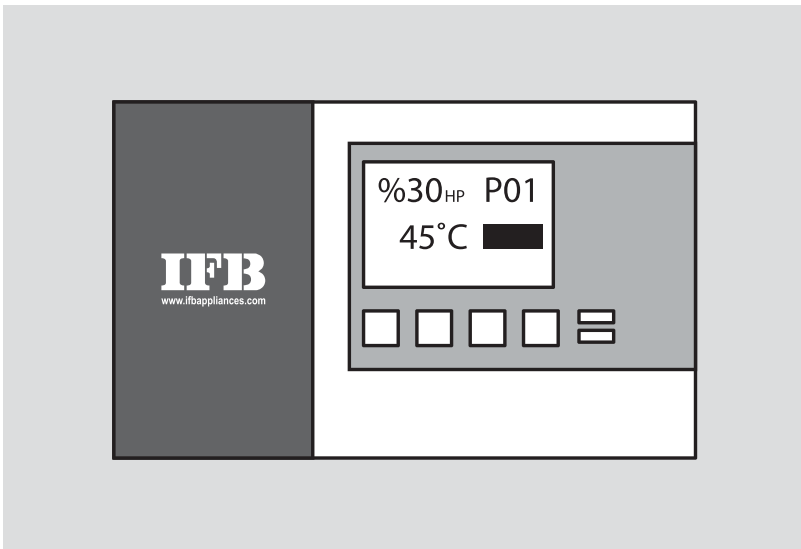


Optimal Consumption

All washers efficiently identify the load and automatically, adapt the quantity of water and chemicals to be used for it.

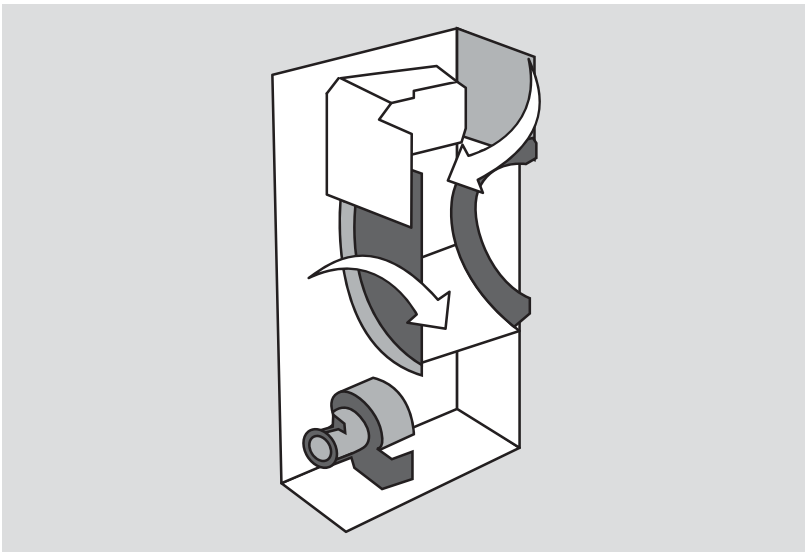
DRYER FEATURES

SMARTEC



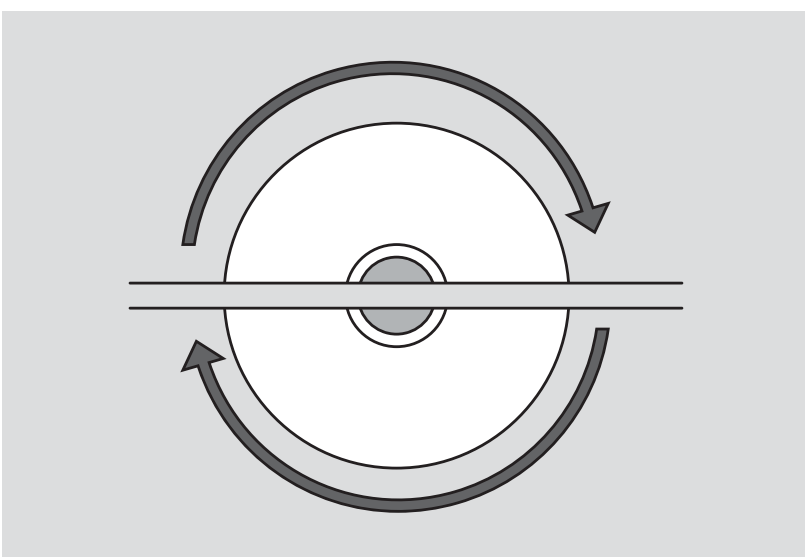
MP Control

Easy and intuitive to use, the electronic control of IFB Tumble Dryers offers complete control of the process, including selecting drum speed, statistics control, technical menu, alarms etc.



Mixed Flow

The new system of mixed axial-radial airflow increases the efficiency of the whole drying process due to the improvement of air-flow inside the drum.



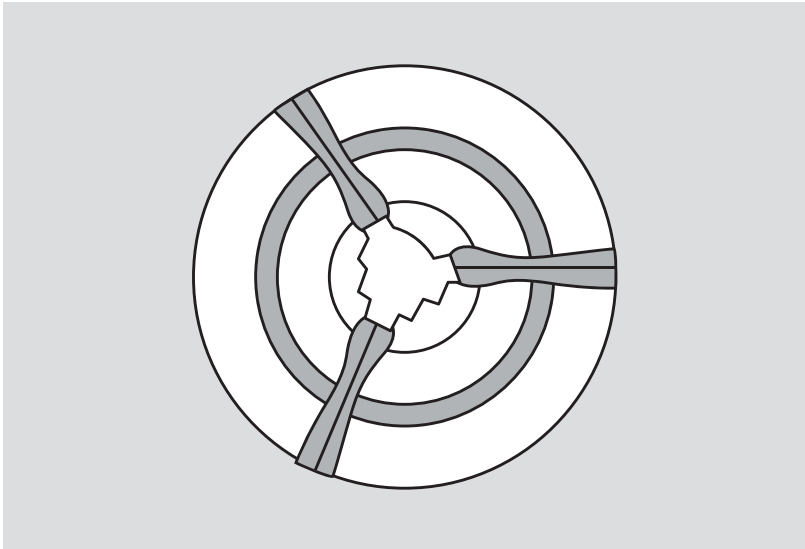
Autoreverse Drum

All models offer reverse turning of the drum for a more efficient drying process.



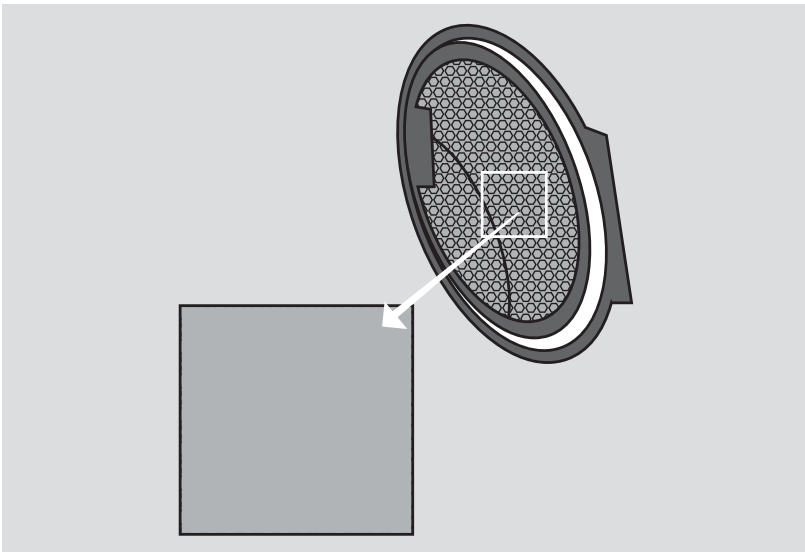
DRYER FEATURES

SMARTEC



Stainless Steel Drum

The drums are made of Stainless Steel BA for better quality and durability.



Soft Touch

The new drum perforations make sure the linen is gently handled, lengthening its life.



RIGID MOUNTED INDUSTRIAL WASHER EXTRACTOR



MAQ B-11-14-18 TC2

Washer Extractor 10/13/18 Kg
RELIABILITY AND ROBUSTNESS
WITHIN THE REACH OF ALL

Features

- **EFFICIENT MIX** An automatic mixer that enables energy savings and reduces washing time.
- **BALANCE CONTROL** An advanced technology to detect the imbalance at an early stage.
- **MULTICHOICE INLET** A third water inlet as a standard feature to save filling time.
- **WET CLEANING** An advanced washing concept as a standard feature.
- **MAINTENANCE CARE** A simple and reliable design with the use of intelligent electronics.
- **OPTIMISED DRUM** A design with minimal spaces between drum and tank facilitates faster heating of water.
- **OPTIMAL CONSUMPTION** An automatic load indicator that adopts the right quantity of water and chemical.
- **LOADING AID** Water inlet and spin control for loading the linen.
- **CE CERTIFICATIONS**

Options

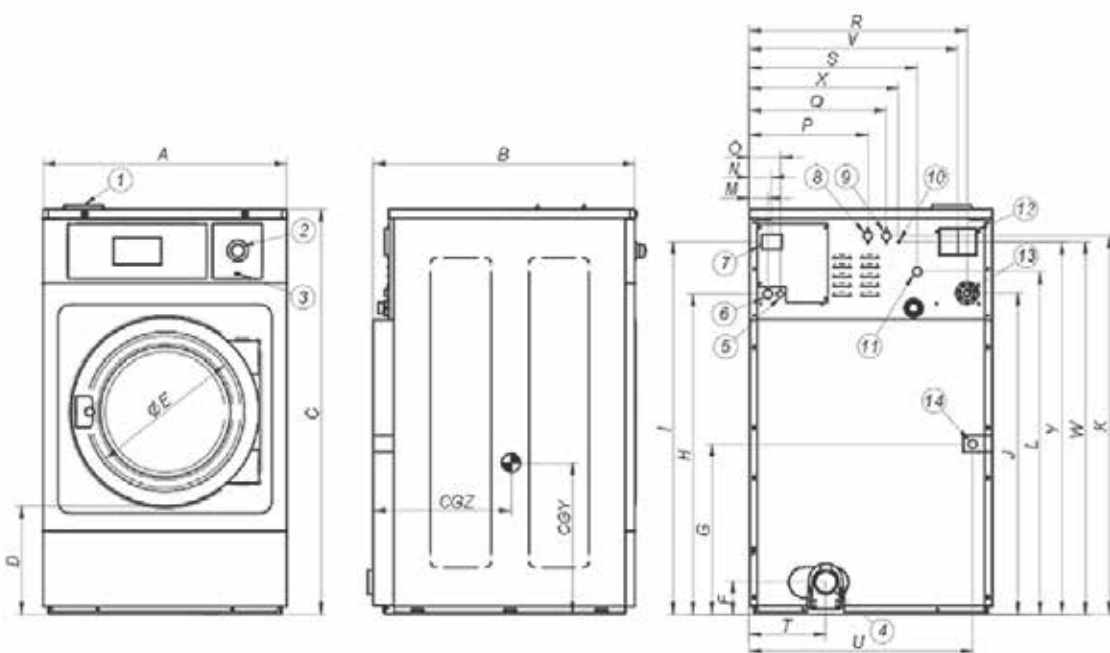
- Anchoring base as an option for correct fixation to the floor
- Unit exterior in AISI-304 Stainless Steel
- Front panels in AISI-304 Stainless Steel
- Double drain kit to recover the water, with important savings
- Reversible door opening
- Silicone seal
- Timed opening system
- 6 extra signals for dosing
- Printer
- Shower system: water recirculation kit
- Marine electric versions for ships
- Tropicalised models with protective covering for the electronics
- Sluice option
- Available with steam heating





Dimensions (mm)

	A	B	C	D	E	F	G	H	I	J	K	L	M	N	O	P	Q	R	S	T	U	V	W	X	Y	CGY	CGZ
MAQ2 B-11 TC2	719	684	1158	310	373	144	440	886	1054	889	1073	958	61	74	101	316	376	637	475	211	654	607	1073	424	1118	383	511
MAQ2 B-14 TC2	719	830	1158	310	373	144	440	886	1054	889	1073	958	61	74	101	316	376	637	475	211	654	607	1073	424	1118	484	524
MAQ2 B-18 TC2	788	840	1307	348	460	108	552	1035	1203	1033	1222	1107	61	74	101	316	445	706	544	249	724	676	1203	485	1202	479	546



- 1 Soap dispenser
- 2 Emergency stop
- 3 USB port
- 4 Drain
- 5 Electrical connection to liquid soap pumps
- 6 Electrical connection
- 7 Main switch
- 8 Auxiliary water inlet
- 9 Hot water inlet
- 10 Earth connection
- 11 Cold water inlet
- 12 Water overflow
- 13 Connection for liquid soap
- 14 Steam connection

TOUCH PLUS CONTROL

EFFICIENT MIX

BALANCE CONTROL

MULTI-CHOICE INLET

WET CLEANING

MAINT CARE

OPTIMISED DRUM

OPTIMAL CONSUMP



	UNIT	MAQ B-11 TC2	MAQ B-14 TC2	MAQ B-18 TC2			
DRUM							
Load capacity 1:10	Kg	10	13	18			
Volume	Ltr	100	130	180			
Diameter	mm	620	620	700			
Depth	mm	330	430	470			
GENERAL DATA							
Wash Speed/Spin Speed	RPM	53/759	53/759	50/714			
G-Force	-	200	200	200			
Maximum Force Transmitted	kN	2.0 ± 3	2.31 ± 4	2.63 ± 5			
Dynamic Force Frequency	Hz	8.93	8.93	8.42			
Noise Level	dB	< 70	< 70	< 70			
Self-service Version	-	Yes	Yes	Yes			
Double Drain	-	No	Optional	Optional			
Weighing System	-	No	No	No			
Sluice Option	-	Yes	Yes	Yes			
DOOR							
Height Door Centre/Height	mm	570/310	570/310	655/348			
Door Base							
Diameter	mm	373	373	460			
POWER							
Motor	kW	1.1	1.1	2.2			
Heating Electric Model	kW	6	9	12			
Maximum Electrical Power	kW	6.25	9.5	12.75			
Maximum Steam and Hot Water Power	kW	1.1	1.1	2.2			
CONNECTIONS							
Voltage 230V—I + N	Nº x mm ² /A	3 x 6/40 A	3 x 1.5/16 A	3 x 10/50 A	3 x 1.5/16 A	3 x 16/63 A	3 x 4/32 A
Voltage 230V—III	Nº x mm ² /A	4 x 2.5/20 A		4 x 2.5/20 A		4 x 6/40 A	
Voltage 400V—III + N Standard	Nº x mm ² /A	5 x 1.5/16 A		5 x 1.5/16 A		5 x 4/32 A	
Steam Inlet (Steam Model)	inch	1/2		1/2		1/2	
Maximum Steam Consumption (Steam Model)	Kg/hr	7		8.5		12	
Water Inlet	inch	3x 3/4"		3/4"		3/4"	
Grid Water Pressure	Kg/cm ²	2-4		2-4		2-4	
Maximum Water Consumption*	Ltr/hr	61.5"		78.8*		120*	
Drain	mm/inch	3"		3"		3"	
Drainage Capacity	Ltr/min	200		200		200	
DIMENSIONS/DIMENSIONS WITH PACKAGING							
Width/Width	mm	719/800		719/800		788/840	
Depth/Depth	mm	684/990		830/990		840/1010	
Height/Height	mm	1158/1350		1158/1350		1307/1500	
Net Weight/Gross Weight	Kg	217/225		239/247		281/301	
Gross Volume (With Packaging)	mm ³	1.07		1.07		1.3	

*Program N° 20, 75% Load



RIGID MOUNTED INDUSTRIAL WASHER EXTRACTOR



MAQ B-25-35 TC2

Washer Extractor 25/35 Kg
RELIABILITY AND ROBUSTNESS
WITHIN THE REACH OF ALL

Features

- **EFFICIENT MIX** An automatic mixer that enables energy savings and reduces washing time.
- **BALANCE CONTROL** An advanced technology to detect the imbalance at an early stage.
- **MULTICHOICE INLET** A third water inlet as a standard feature to save filling time.
- **WET CLEANING** An advanced washing concept as a standard feature.
- **MAINTENANCE CARE** A simple and reliable design with the use of intelligent electronics.
- **OPTIMISED DRUM** A design with minimal spaces between drum and tank facilitates faster heating of water.
- **OPTIMAL CONSUMPTION** An automatic load indicator that adopts the right quantity of water and chemical.
- **LOADING AID** Water inlet and spin control for loading the linen.
- **CE CERTIFICATIONS**

Options

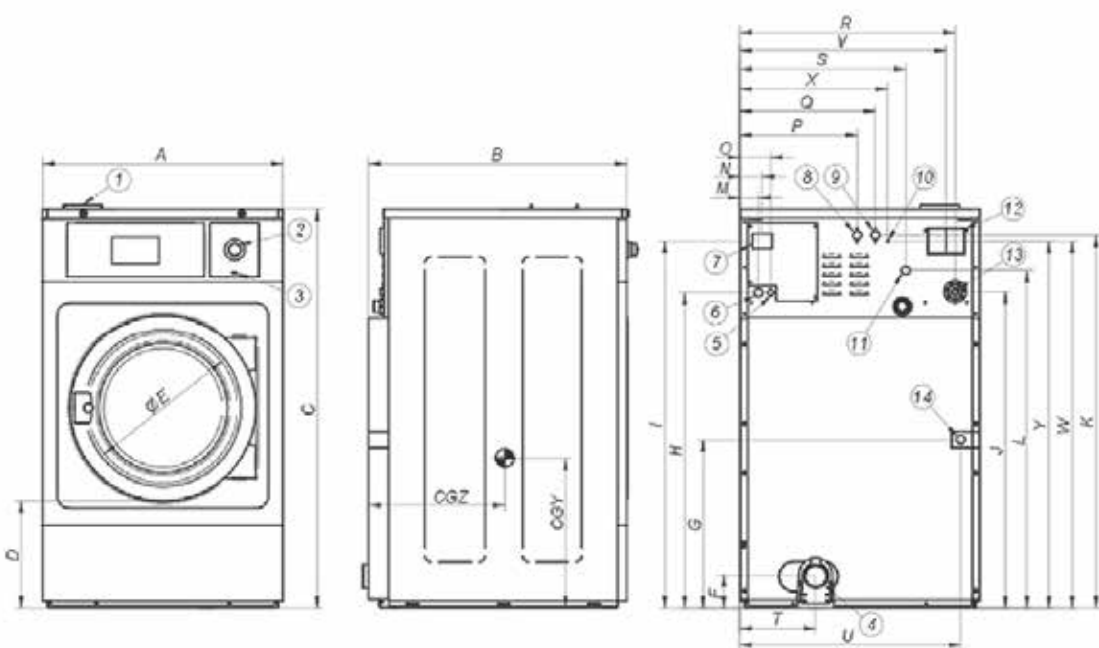
- Anchoring base as an option for correct fixation to the floor
- Unit exterior in AISI-304 stainless steel
- Front panels in AISI-304 stainless steel
- Double drain kit to recover the water, with important savings
- Reversible door opening
- Silicone seal
- Timed opening system
- 6 extra signals for dosing
- Printer
- Shower system: water recirculation kit
- Marine electric versions for ships
- Tropicalised models with protective covering for the electronics system
- Sluice option
- Available with steam heating





Dimensions (mm)

	A	B	C	D	E	F	G	H	I	J	K	L	M	N	O	P	Q	R	S	T	U	V	W	X	Y	CGY	CGZ
MAQ2 B-25 TC2	884	965	1340	400	460	145	548	1063	1230	1065	1250	1135	61	74	101	428	508	801	639	268	820	771	1220	600	1280	591	543
MAQ2 B-35 TC2	979	1066	1411	370	560	147	623	1139	1307	1116	1322	1211	61	74	101	481	561	861	673	262	917	831	1281	624	1367	635	682



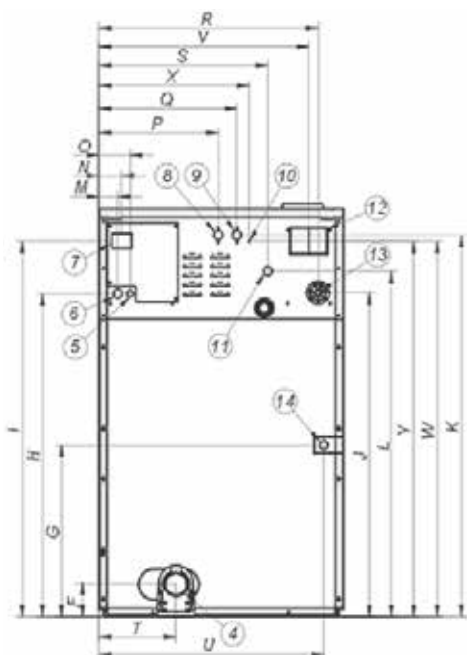
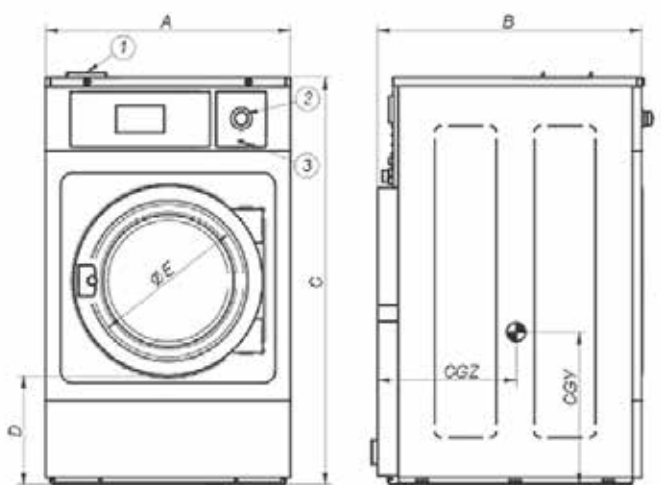
- 1 Soap dispenser
- 2 Emergency stop
- 3 USB port
- 4 Drain
- 5 Electrical connection to liquid soap pumps
- 6 Electrical connection
- 7 Main switch
- 8 Auxiliary water inlet
- 9 Hot water inlet
- 10 Earth connection
- 11 Cold water inlet
- 12 Water overflow
- 13 Connection for liquid soap
- 14 Steam connection

	UNIT	MAQ B-25 TC2		MAQ B-35 TC2	
DRUM					
Load Capacity 1:10	Kg	25		35	
Volume	Ltr	250		350	
Diameter	mm	770		860	
Depth	mm	530		602	
GENERAL DATA					
Wash Speed/Spin Speed	RPM	48/682		45/644	
G-Force	-	200		200	
Maximum Force Transmitted	kN	3.53 ± 6		4.59 ± 8	
Dynamic Force Frequency	Hz	8.02		7.58	
Noise Level	dB	< 70		< 70	
Self-service Version	-	Yes		Yes	
Double Drain	-	Optional		Optional	
Weighing System	-	No		No	
Sluice Option	-	Yes		Yes	
DOOR					
Height Door Centre/Height Door Base	mm	700/400		735/440	
Diameter	mm	460		560	
POWER					
Motor	kW	3		4	
Heating Electric Model	kW	18		21	
Maximum Electrical Power	kW	19		22	
Maximum Steam and Hot Water Power	kW	3		4	
CONNECTIONS					
Voltage 230V-I + N	N° x mm ² /A	Electric	Steam/Hot Water	Electric	Steam/Hot Water
Voltage 230V-III	N° x mm ² /A	—	3 x 4/32 A	—	3 x 4/32 A
Voltage 400V-III + N Standard	N° x mm ² /A	4 x 16/63 A	—	4 x 16/63 A	—
Steam Inlet (Steam Model)	inch	5 x 4/32 A	—	5 x 6/40 A	—
Maximum Steam Consumption (Steam Model)	Kg/hr	3/4"		3/4"	
Water Inlet	inch	15		18	
Grid Water Pressure	Kg/cm ²	3x 3/4"		3/4"	
Maximum Water Consumption*	Ltr/hr	2-4		2-4	
Drain	mm/inch	164.8*		199.6*	
Drainage Capacity	Ltr/min	3"		3"	
		200		200	
DIMENSIONS/DIMENSIONS WITH PACKAGING					
Width/Width	mm	884/930		979/1050	
Depth/Depth	mm	1011/1150		1066/1250	
Height/Height	mm	1340/1523		1411/1600	
Net Weight/Gross Weight	Kg	340/370		473/503	
Gross Volume (With Packaging)	mm ³	1.6		2.1	

*Program N° 20, 75% Load



RIGID MOUNTED INDUSTRIAL WASHER EXTRACTOR



- | | |
|--|-------------------------------|
| 1 Soap dispenser | 8 Auxiliary water inlet |
| 2 Emergency stop | 9 Hot water inlet |
| 3 USB port | 10 Earth connection |
| 4 Drain | 11 Cold water inlet |
| 5 Electrical connection to liquid soap pumps | 12 Water overflow |
| 6 Electrical connection | 13 Connection for liquid soap |
| 7 Main switch | 14 Steam connection |

MAQ B-60 TC2

Washer Extractor 60 Kg
RELIABILITY AND ROBUSTNESS
WITHIN THE REACH OF ALL

Features

- **EFFICIENT MIX** An automatic mixer that enables energy savings and reduces washing time.
- **BALANCE CONTROL** An advanced technology to detect the imbalance at an early stage.
- **MULTICHOICE INLET** A third water inlet as a standard feature to save filling time.
- **WET CLEANING** An advanced washing concept as a standard feature.
- **MAINTENANCE CARE** A simple and reliable design with the use of intelligent electronics.
- **OPTIMISED DRUM** A design with minimal spaces between drum and tank facilitates faster heating of water.
- **OPTIMAL CONSUMPTION** An automatic load indicator that adopts the right quantity of water and chemical.
- **LOADING AID** Water inlet and spin control for loading the linen.
- **CE CERTIFICATIONS**

Options

- Anchoring base as an option for correct fixation to the floor
- Unit exterior in AISI-304 stainless steel
- Front panels in AISI-304 stainless steel
- Double drain kit to recover the water, with important savings
- Reversible door opening
- Silicone seal
- Timed opening system
- 6 extra signals for dosing
- Printer
- Shower system: water recirculation kit
- Marine electric versions for ships
- Tropicalised models with protective covering for the electronics system
- Sluice option
- Available with steam heating

	UNIT	MAQ B-60 TC2	
DRUM			
Load Capacity 1:10	Kg	60	
Volume	Ltr	600	
Diameter	mm	1048	
Depth	mm	684	
GENERAL DATA			
Wash Speed/Spin Speed	RPM	42.5/505	
G-Force	-	150	
Maximum Force Transmitted	kN	9.12 ± 15	
Dynamic Force Frequency	Hz	6.93	
Noise Level	dB	< 70	
Self-service Version	-	No	
Double Drain	-	Optional	
Weighing System	-	No	
Sluice Option	-	No	
DOOR			
Height Door Centre/Height	mm	900/540	
Door Base			
Diameter	mm	560	
POWER			
Motor	kW	5.5	
Heating Electric Model	kW	28.8	
Maximum Electrical Power	kW	31.3	
Maximum Steam and Hot Water Power	kW	5.5	
CONNECTIONS			
Voltage 230 V—I + N	N° x mm ² /A	Electric	Steam/hot water
Voltage 230V—III	N° x mm ² /A	-	-
Voltage 400V—III + N Standard	N° x mm ² /A	4 x 25/100 A	4 x 10/50 A
Steam Inlet (Steam Model)	5 x 16/63A	5 x 16/63 A	5 x 4/32 A
Maximum Steam Consumption (Steam Model)	inch		3/4"
Water Inlet	Kg/hr		21
Grid Water Pressure	inch	3 x 3/4"	
Maximum Water Consumption*	Kg/cm ²	2-4	
Drain	Ltr/hr	627.9**	
Drainage Capacity	mm/inch	3"	
		200	
DIMENSIONS/DIMENSIONS WITH PACKAGING			
Width/Width	mm	1225/1360	
Depth/Depth	mm	1279/1480	
Height/Height	mm	1640/1880	
Net Weight/Gross Weight	Kg	930/1050	
Gross Volume (With Packaging)	m ³	3.73	

*Program N° 20, 75% Load

Dimensions (mm)

	A	B	C	D	E	F	G	H	I	J	K	L	M	N	O	P	Q	R	S	T	U	V	W	X	Y	CGY	CGZ
MAQ2 B-60TC2	1225	1279	1640	540	560	140	984	1368	1536	1306	1551	1318	61	74	101	651	731	1110	869	270	1163	1080	1470	992	1595	644	972

TOUCH PLUS CONTROL

EFFICIENT MIX

BALANCE CONTROL

MULTI-CHOICE INLET

WET CLEANING

MAINT CARE

OPTIMISED DRUM

OPTIMAL CONSUMP



TUMBLE DRYER



S-210-330 TC2

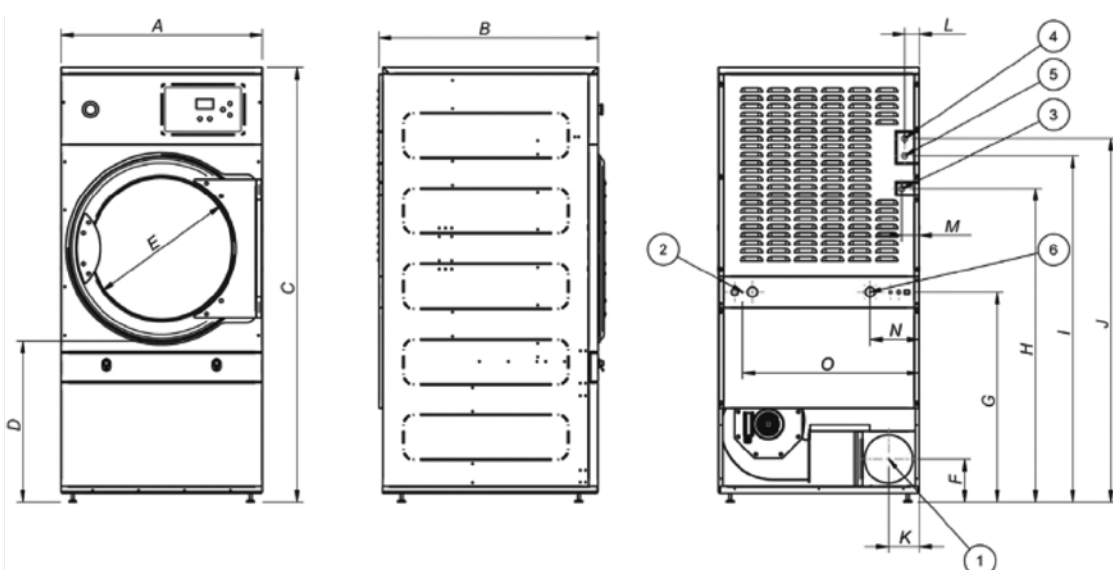
Tumble Dryer 10/15 Kg
THE PERFECT BALANCE BETWEEN
QUALITY AND EFFICIENCY

Features

- **Auto-reverse Drum** Uniform drying and tangling of large fabrics.
- **Frequency Inverter** To control speed and reverse drum actions.
- **Filter Dryer** Wide surface and improved air flow, made of stainless steel.
- **Outer Casing** Grey skin plate with stainless steel look.
- **Stainless Steel Drum** High durability.
- **Touch Control** An intuitive touch control with 20 standard programs.
- **Soft Touch** A stamped drum perforation for longer garment life.
- **Mixed Flow** A mixed axial-radial air flow to increase drying efficiency.
- **Big Loading Door** 180° wide door.
- **Direct Drive** Transmission of movement by gear motor.
- Anti-wrinkle cool down at the end of the cycle.
- Models available with electric, gas or steam heating.

Options

- Fire care system
- Double door glass
- Stainless steel body
- Stainless steel front panel
- Low pressure steam battery
- Marine versions
- Steam and gas options available



- 1 Fumes outlet
- 2 Electrical connection
- 3 Gas connection
- 4 Steam connection
- 5 Condensation outlet
- 6 Anti-fire water valve

TECHNICAL DATA	UNIT	S-210 TC2		S-330 TC2	
CAPACITY					
Capacity 1/22	Kg	10		15	
Hourly Output	Kg/hr	21		33	
Evaporation Capacity	Ltr/hr	10.9		17.2	
DRUM					
Ø Drum	mm	750		750	
Ø Door	mm	574		574	
Door Centre Height	mm	976		976	
Load Hole Bottom Height	mm	689		689	
Drum Length	mm	475		746	
Drum Volume	Ltr	210		330	
POWER					
Drum Motor Power	kW	0.25		0.25	
Fan Motor Power	kW	0.25		0.25	
Total Installed Power	kW	12.55		18.55	
Electric Heating (Installed Power)	kW	12		18	
Gas Heating (Installed Power)	kW	20.51		20.51	
Gas Heating (Installed Electrical Power)	kW	0.55		0.55	
Steam Heating (Steam Power)	kW	30		30	
Steam Heating (Installed Electrical Power)	kW	0.55		0.55	
CONNECTIONS					
Tension 230 V—I + T	Nº x mm ² /A	Electrical 3 x 35/63 A	Steam/Gas 3 x 1.5/20 A	Electrical —	Steam/Gas 3 x 1.5/20 A
Tension 230 V—III + T	Nº x mm ² /A	4 x 10/40 A	4 x 1.5/20 A	4 x 16/63 A	4 x 1.5/20 A
Tension 400 V—III + N + T (Standard)	Nº x mm ² /A	5 x 4/20 A	5 x 1.5/20 A	5 x 10/32 A	5 x 1.5/20 A
Ø Gas Inlet	BSP	1/2"		1/2"	
Ø Steam Inlet	BSP	3/4"		3/4"	
Ø Condensed (Steam Models)	BSP	3/4"		3/4"	
DIMENSIONS/PACKING DIMENSIONS					
Width/Width	mm	785/865		785/865	
Depth/Depth	mm	840/940		110/1210	
Height/Height	mm	1694/1840		1694/1840	
Height without Heating Battery	mm	—		—	
Net Weight/Gross Weight	Kg	172/180		187/200	
OTHERS					
Max Airflow	m ³ /hr	850		850	
Ø Fume Exhaust	mm	200		200	
Sound Level	dB	64		64	

Dimensions (mm)

	A	B	C	D	E	F	G	H	I	J	K	L	M	N	O
S-210	785	840	1700	618	574	168	821	1226	1354	1422	195	56	68	192	690
S-330	785	1010	1700	618	574	168	821	1226	1354	1422	195	56	68	192	690



TUMBLE DRYER



S-460 TC2

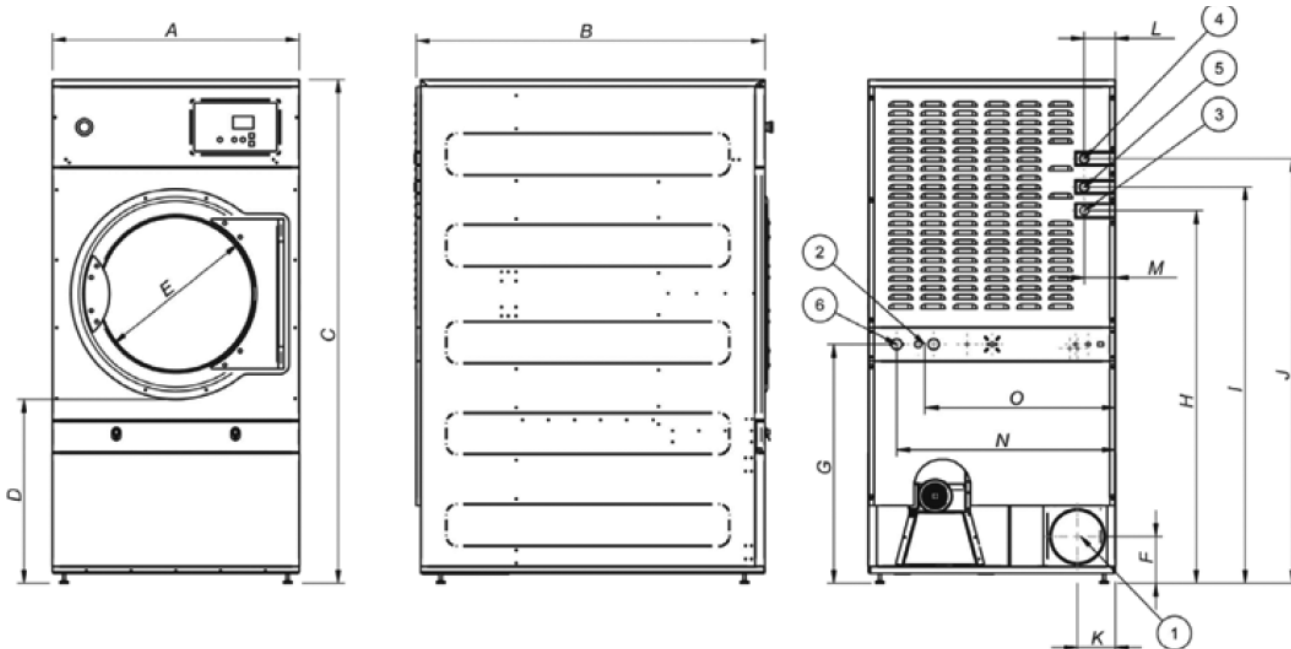
Tumble Dryer 21 Kg
THE PERFECT BALANCE BETWEEN
QUALITY AND EFFICIENCY

Features

- **Auto-reverse Drum** Uniform drying and tangling of large fabrics.
- **Frequency Inverter** To control speed and reverse drum actions.
- **Filter Dryer** Wide surface and improved air flow made of stainless steel.
- **Outer Casing** Grey skin plate with stainless steel look.
- **Stainless Steel Drum** High durability.
- **Touch Control** An intuitive touch control with 20 standard programs.
- **Soft Touch** A stamped drum perforation for longer garment life.
- **Mixed Flow** A mixed axial-radial air flow to increase drying efficiency.
- **Big Loading Door** 180° wide door.
- **Direct Drive** Transmission of movement by gear motor.
- Anti-wrinkle cool down at the end of the cycle.
- Models available with electric, gas or steam heating.

Options

- Fire care system
- Double door glass
- Stainless steel body
- Stainless steel front panel
- Low pressure steam battery
- Marine versions
- Steam and gas options available



- 1 Fumes outlet
- 2 Electrical connection
- 3 Gas connection
- 4 Steam connection
- 5 Condensation outlet
- 6 Anti-fire water valve

TECHNICAL DATA	UNIT	S-460 TC2	
CAPACITY			
Capacity 1/22	Kg	21	
Hourly Output	Kg/hr	46	
Evaporation Capacity	Ltr/hr	23.9	
DRUM			
Ø Drum	mm	855	
Ø Door	mm	574	
Door Centre Height	mm	1030	
Load Hole Bottom Height	mm	743	
Drum Length	mm	800	
Drum Volume	Ltr	460	
POWER			
Drum Motor Power	kW	0.37	
Fan Motor Power	kW	0.55	
Total Installed Power	kW	24.97	
Electric Heating (Installed Power)	kW	24	
Gas Heating (Installed Power)	kW	31	
Gas Heating (Installed Electrical Power)	kW	0.97	
Steam Heating (Steam Power)	kW	49.2	
Steam Heating (Installed Electrical Power)	kW	0.97	
CONNECTIONS			
Tension 230 V—I + T	Nº x mm ² /A	Electrical -	Steam/Gas 3 x 1.5/20 A
Tension 230 V—III + T	Nº x mm ² /A	4 x 25/80 A	4 x 1.5/20 A
Tension 400 V—III + N + T (Standard)	Nº x mm ² /A	5 x 10/40 A	5 x 1.5/20 A
Ø Gas Inlet	BSP	1/2"	
Ø Steam Inlet	BSP	1"	
Ø Condensed (Steam Models)	BSP	1"	
DIMENSIONS/PACKING DIMENSIONS			
Width/Width	mm	890/970	
Depth/Depth	mm	1245/1345	
Height/Height	mm	1812/1940	
Height without Heating Battery	mm	-	
Net Weight/Gross Weight	Kg	210/230	
OTHERS			
Max Airflow	m ³ /hr	1200	
Ø Fume Exhaust	mm	200	
Sound Level	dB	65	

Dimensions (mm)

	A	B	C	D	E	F	G	H	I	J	K	L	M	N	O
S-460	890	1245	1817	672	574	168	862	1344	1430	1532	137	113	112	787	685



INDUSTRIAL TUMBLE DRYER



S-660 TC 2

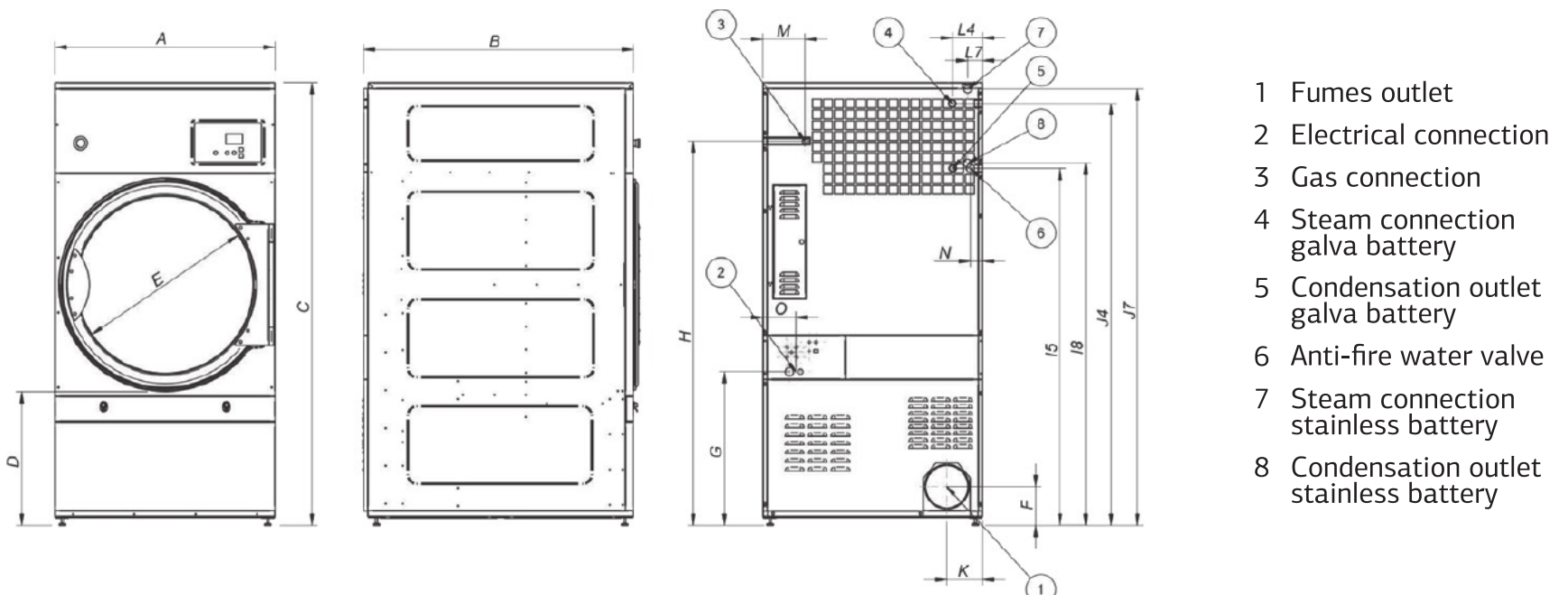
Tumble Dryer 30 Kg
THE PERFECT BALANCE BETWEEN
QUALITY AND EFFICIENCY

Features

- **Auto-reverse Drum** Uniform drying and tangling of large fabrics.
- **Frequency Inverter** To control speed and reverse drum actions.
- **Filter Dryer** Wide surface and improved air flow made of stainless steel.
- **Outer Casing** Grey skin plate with stainless steel look.
- **Stainless Steel Drum** High durability.
- **Touch Control** An intuitive touch control with 20 standard programs.
- **Soft Touch** A stamped drum perforation for longer garment life.
- **Mixed Flow** A mixed axial-radial air flow to increase drying efficiency.
- **Big Loading Door** 180° wide door.
- **Direct Drive** Transmission of movement by gear motor.
- Anti-wrinkle cool down at the end of the cycle.
- Models available with electric, gas or steam heating.

Options

- Fire care system
- Double door glass
- Stainless steel body
- Stainless steel front panel
- Low pressure steam battery
- Marine versions
- Steam and gas options available



- 1 Fumes outlet
- 2 Electrical connection
- 3 Gas connection
- 4 Steam connection galva battery
- 5 Condensation outlet galva battery
- 6 Anti-fire water valve
- 7 Steam connection stainless battery
- 8 Condensation outlet stainless battery

TECHNICAL DATA	UNIT	S-660 TC2	
CAPACITY			
Capacity 1/22	Kg	30	
Hourly Output	Kg/hr	66	
Evaporation capacity	Ltr/hr	34.3	
DRUM			
Ø Drum	mm	947	
Ø Door	mm	802	
Door Centre Height	mm	1.040	
Load Hole Bottom Height	mm	640	
Drum Length	mm	936	
Drum Volume	Ltr	660	
POWER			
Drum Motor Power	kW	0.55	
Fan Motor Power	kW	0.55	
Total Installed Power	kW	37.15	
Electric Heating (Installed Power)	kW	36	
Gas Heating (Installed Power)	kW	41	
Gas Heating (Installed Electrical Power)	kW	1.15	
Steam Heating (Steam Power)	kW	50.1	
Steam Heating (Installed Electrical Power)	kW	1.15	
CONNECTIONS			
Tension 230 V—I + T	Nº x mm ² /A	Electrical —	Steam/Gas 3 x 1.5/20A
Tension 230 V—III + T	Nº x mm ² /A	4 x 50/125A	4 x 1.5/20A
Tension 400 V—III + N + T (Standard)	Nº x mm ² /A	5 x 16/63A	5 x 1.5/20A
Ø Gas Inlet	BSP	1/2"	
Ø Steam Inlet	BSP	1"	
Ø Condensed (Steam Models)	BSP	1"	
DIMENSIONS/PACKING DIMENSIONS			
Width/Width	mm	985/1065	
Depth/Depth	mm	1210/1310	
Height/Height	mm	1946 / 2080	
Height without Heating Battery	mm	—	
Net Weight/Gross Weight	Kg	260/285	
OTHERS			
Max Airflow	m ³ /hr	1200	
Ø Fume Exhaust	mm	200	
Sound Level	dB	65	

Dimensions (mm)

	A	B	C	D	E	F	G	H	I5	I8	J4	J7	K	L4	L7	M	N	O
S-660	985	1210	1946	577	802	172	685	1715	1594	1616	1883	1948	160	134	67	188	55	690



MIXED FLOW

MP CONTROL

AUTO REVERSE DRUM

STAINLESS STEEL DRUM

SOFT TOUCH

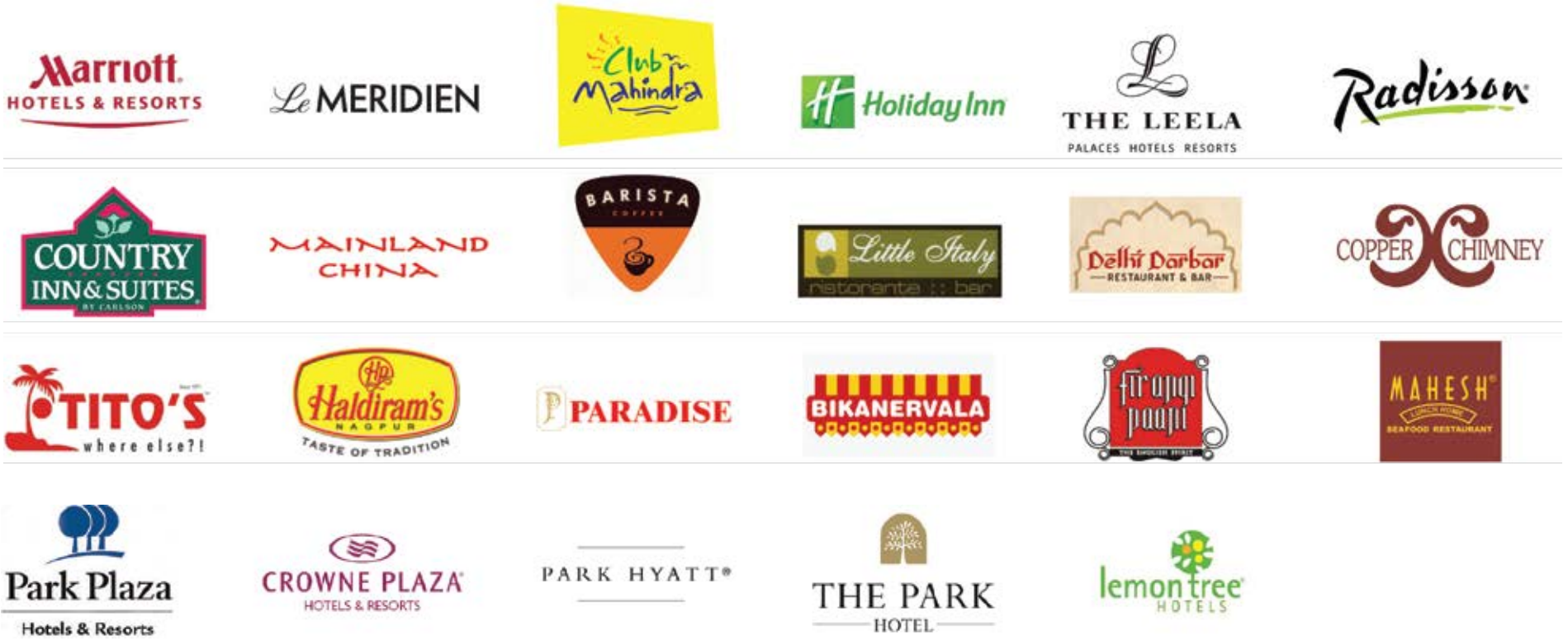


SOME OF OUR ESTEEMED CLIENTS

Corporates



Hospitality Industry



Hospitals



Educational Institutions



Government Sector



OVER **6 MILLION** SATISFIED CUSTOMERS



HEADQUARTERS Goa 9326017664 **WEST** Mumbai 7498567934
Ahmedabad 9314629627 • Nagpur 7709874738 • Pune 8805582525
CENTRAL Bhopal 8551887281 • Raipur 9691321789
SOUTH Chennai 9381436877 • Bangalore 9663384570
Vijayawada 9908533800 Hyderabad 9346208824 • Vizag 9100037287
Kochi 9349262435 **NORTH** New Delhi 9999222757, 9717381616
Jaipur 8955804579 Lucknow 9389605305 • Chandigarh 8054568665
Ludhiana 9988716892 **EAST** Kolkata 9830681618 • Guwahati 9431759779
Odisha 9853134189 Jamshedpur 9771487378 • Patna 9386679033

Shop 24x7 @ www.ifbappliances.com | Email customerservice@ifbglobal.com
Call 1860 2085678 or 1860 4255678

