



Commercial Dishwashing Solutions



spotless laundry and sparkling dishes

washes from 10kg to
180kg

Versatile solutions to handle
large scale laundry efficiently



trust

IFB is India's No 1
Commercial Glass and
Dishwashing Company



Presenting the IFB Commercial range—easy to use and environment friendly. While the IFB Commercial Dishwashers ensure germ-free scrubbing of greasy dishes, IFB Commercial Laundry Solutions deliver impeccable and hygienic clothes in bulk. They are designed with simple controls that enable efficiency and minimise labour.

Serve clean and look clean too.
Set yourself free with IFB!

advanced solutions for a cleaner world



New age IFB Commercial Dishwashing Solutions

There are major threats to the environment today and we have a role to play in saving the planet. The depletion of resources is a cause for worry. That's why we use advanced technologies in our appliances in order to reduce the consumption of water, energy and polluting chemicals. Our products preserve the ecology and help protect the world.

energy efficient flawless performance

innovative technology for effective washing

SMART \$AVE

MONEY **WATER** **POWER** **RESOURCES**

IFB Commercial Dishwashers are designed and built with the most advanced CAD/CAM systems, keeping specific user requirements in mind. What's more, their Smart technology means you'll be saving more.



Reduces Chipping & Breaking
There are less chances of breaking and chipping, allowing you to cut down on inventory investments.



100% Germ Free The hot, hygienic wash eliminates bacteria so that your food is safe when served. It also removes grease and congealed food to prevent germs from breeding.



Eco-friendly IFB Commercial Dishwashers are in sync with the needs of the planet. They cut down on water, power and detergent use.



No Service Worries Our Service Network reaches out to every corner of the country with more than 179 franchisees across 995 towns. Help is just a phone call away.



Quick Ready Reduces machine start-up time. The boiler heats the water and fills the tank, reducing time between cycles.



Running Cost A patented DSD—Drainage System Device helps keep the tank clean, reducing water consumption, energy and detergent concentration.



Power Wash The wash motor creates extra thrust through the nozzles providing the required pressure to remove stubborn oil stains and other soils.



IFB Commercial Ware Washing Range

One-stop solution for washing glassware, crockery and cutlery



Glass Washer



Dishwasher



Hood Machine



Rack Conveyor



EASE OF CLEANING
Efficient wash/rinse arms ensure excellent cleaning.



EASE OF USE
Patented drain technology ensures saving of water and detergent.



SIMPLICITY OF OPERATION
With electromechanical and digital user-friendly control panels, these dishwashers are simple to operate.



PERFORMANCE
Patented double-flow pump maximises cleaning efficiency and minimises power consumption.



PROSTRAINER
ProStrainer integral surface strainers are lighter than conventional steel filters and more resistant to chemical abrasion and impact.



PROSMART INTERFACE
The ProSmart interface allows touch control of the main functions.

precision cleaning through state-of-the-art engineering

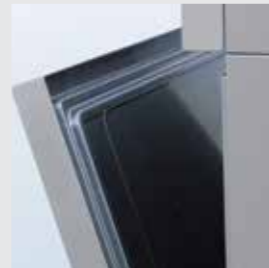
PRECISION QUALITY

IFB machines are designed and constructed in compliance with ISO 9001:2008 certification.



CONSTRUCTION

IFB Glass Washers and Dishwashers are made of partial or full double skin construction in certain models.



ERGONOMICS

These machines increase the efficiency of your staff as they are designed to reduce the operator's fatigue.



WASH PROGRAMS

Extremely versatile and effortless operations make it possible to deal with everyday requirements.



PROCHEM

ProChem is a chemical dosing system consisting of electronically regulated peristaltic rinse aid and detergent dispensers.



SMART CLEAN

PreClean ensures efficient cleaning of the wash tank.



ECOLOGY

Our commitment to protecting the ecology is effected through continually applying innovations that reduce the environmental impact of ware-washing.



UNDER COUNTER GLASSWASHERS



PROTECH 311 PLUS

Extremely compact (total height <65 cm) glasswasher with 35 x 35 cm rack with a large load capacity that can wash glasses up to 25 cm high. It features a patented combined wash and rinse arm in heavy-duty composite material and adopts IFB's special Archimedes rinse technology, which refreshes tank water by >25%, guaranteeing cleaner water and consuming less detergent. Running costs are particularly low.

Features

Shock-proof plastic pump filter	Yes
Wash/Rinse with lower rotating arms	Yes
Rinse system with upper rotating arms	Yes
Archimedes drain system	Yes
Protect environment improvement system	Yes
Electromechanical interface	Yes
No of standard wash programs	3
Double skin insulated door	Yes
Special cycles	ProWater, ProGlass
Self cleaning cycle	Yes

Standard Equipment

Flat rack (35 x 35 cm)	Yes
Cutlery container	Yes
Fill hose	Yes
Drain hose	Yes
Power supply cable	Yes

Technical Specifications

Dimensions (cm) W x D x H	40 x 50 x 59.5
Rack size (cm)	35 x 35
Door opening (cm)	26
Max glass height (cm)	25
General construction	Partial double skin
Door construction	Double wall
Water consumption (Ltr/Cycle)	1.8
Electrical connection (V/Hz/ph/N)	230/50/1/N
Cycles (secs)	3 (90, 120, 150)
Output (racks/hour) with 50° C water temp	30
Required electrical power (kW/Amp)	3.4/16
Required water pressure (Bar)	2-4
Gross weight (kg)	33

PROTECH 411 PLUS

Glasswasher with 40 x 40 cm rack for washing glasses up to 30 cm high. It features a patented combined wash and rinse arm in heavy-duty composite material and IFB's special Archimedes rinse technology, which refreshes tank water by >25%, guaranteeing cleaner water and consuming less detergent. Running costs are particularly low.

Features

Shock-proof plastic pump filter	Yes
Wash/Rinse system with lower rotating arms	Yes
Wash system with fixed upper arms	Yes
Rinse system with both rotating arms	Yes
Archimedes drain system	Yes
Protect environment improvement system	Yes
Electromechanical interface	Yes
No of standard wash programs	3
Double skin insulated door	Yes

Standard Equipment

Flat rack (38.5 x 38.5 cm)	Yes
Cutlery container	Yes
Fill hose	Yes
Drain hose	Yes
Power supply cable	Yes

Technical Specifications

Dimensions (cm) W x D x H	43.5 x 54 x 67
Rack size (cm)	40 x 40
Door opening (cm)	32
Max glass height (cm)	30
General construction	Partial double skin
Door construction	Double wall
Water consumption (Ltr/Cycle)	1.8
Electrical connection (V/Hz/ph/N)	230/50/1/N
Cycles (secs)	3 (90, 120, 150)
Output (racks/hour) with 50° C water temp	30
Required electrical power (kW/Amp)	3.5/16
Required water pressure (Bar)	2-4
Gross weight (kg)	34



UNDER COUNTER DISHWASHERS

PRO TECH 611 PLUS

Partial double skin under counter dishwasher with drawn rack guides (patent pending), with a height of 82 cm and door opening of 36.5 cm, for washing ware up to 32.5 cm high. Silent operation is guaranteed by the dual flow pump and full double skin door. Standard equipment includes a ProStrain integral, light, shock-proof, composite material tank filter and a double filter on the pump intake.

Features	
Partial double skin construction	Yes
Moulded tank bottom	Yes
ProStrain shock-proof composite material tank filter	Yes
Wash system with DuoFlo pump	Yes
Composite material double filter on pump intake	Yes
Archimedes drain system	Yes
Drain pump	Optional
Protect environment improvement system	Yes
Electromechanical interface	Yes
No of standard wash programs	3
ProSelf self clean cycle	Yes
Special cycles	ProLong, ProWater, ProGlass, ProEco

Standard Equipment	
Plate rack (50 x 50 cm)	Yes
Flat rack (50 x 50 cm)	Yes
Fill hose	Yes
Drain hose	Yes
Power supply cable	Yes

Technical Specifications	
Dimensions (cm) W x D x H	57.5 x 60 x 82
Rack size (cm)	50 x 50
Door opening (cm)	36.5
Max glass height (cm)	32.5
General construction	Partial double wall
Door construction	Double wall
Water consumption (Ltr/Cycle)	2.2
Electrical connection (V/Hz/ph/N)	230/50/1/N
Cycles (secs)	3 (60, 90, 180)
Output (racks/hour) with 50° C water temp	50
Required electrical power (kW/Amp)	3.5/16
Required water pressure (Bar)	2-4
Gross weight (kg)	62

PRO TECH 613 PLUS

Partial double skin under counter dishwasher with deep drawn rack guides (patent pending), with a height of 82 cm and door opening of 36.5 cm for washing ware up to 32.5 cm high. A dual flow pump and full double skin door ensure particularly silent operation. Standard equipment includes a ProStrain integral, shock-proof, composite material tank filter and a double filter on the pump intake.

Features	
Partial double skin construction	Yes
Moulded tank bottom	Yes
ProStrain shock-proof composite material tank filter	Yes
Deep drawn, easy clean rack guides	Yes
Wash system with Duoflow pump	Yes
Composite material double filter on pump intake	Yes
Archimedes drain system	Yes
Protect environment improvement system	Yes
ProSmart electronic interface	Yes
No of standard wash programs	3
ProLong intensive cycle	Yes
ProSelf self clean cycle	Yes
Drain pump	Optional
Special cycles	ProLong, ProWater, ProGlass, ProEco

Standard Equipment	
Plate rack (50 x 50 cm)	Yes
Flat rack (50 x 50 cm)	Yes
Fill hose	Yes
Drain hose	Yes
Power supply cable	Yes

Technical Specifications	
Dimensions (cm) W x D x H	57.5 x 60 x 82
Rack size (cm)	50 x 50
Door opening (cm)	36.5
Max glass height (cm)	32.5
General construction	Partial double wall
Door construction	Double wall
Water consumption (Ltr/Cycle)	2.5
Electrical connection (V/Hz/ph/N)	400/50/3/N
Cycles (secs)	3 (60, 90, 180)
Output (racks/hour) with 50° C water temp	50
Required electrical power (kW/Amp)	6.8/16
Required water pressure (Bar)	2-4
Gross weight (kg)	62



HOOD TYPE DISHWASHERS



PRO TECH 813

This hood dishwasher with a hood opening of 40 cm washes Gastronorm and Euronorm trays. It features a fully moulded tank with a ProStrain integral, light, composite material surface strainer, which is resistant to impact and chemical attack with a double filter on the intake pump. This dishwasher can be installed in straight line or corner configurations without any need for modifications.

Features

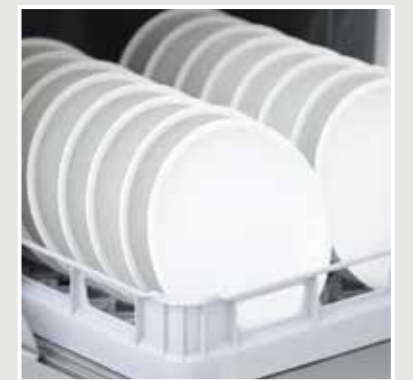
Easy lift hood	Yes
Fully moulded tank	Yes
ProStrain shock-proof composite material tank filter	Yes
Wash system with DuoFlo pump and equaliser arms	Yes
Archimedes drain system	Yes
Protect environment improvement system	Yes
ProSmart LED type electronic interface	Yes
No of standard wash programs	3
ProSelf self clean cycle	Yes
Special cycle	Continuous wash

Standard Equipment

Plate rack (50 x 50 cm)	Yes
Flat rack (50 x 50 cm)	Yes
Cutlery container	Yes
Fill hose	Yes
Drain hose	Yes
Power supply cable	Yes

Technical Specifications

Dimensions (cm) W x D x H	64 x 74 x 151
Rack size (cm)	50 x 50
Door opening (cm)	40
Max glass height (cm)	38
General construction	Single wall
Door construction	Single wall
Water consumption (Ltr/Cycle)	2.2
Electrical connection (V/Hz/ph/N)	400/50/3/N
Cycles (secs)	3 (60, 120, 150)
Output (racks/hour) with 50° C water temp	50
Required electrical power (kW/Amp)	8.5/16
Required water pressure (Bar)	2-4
Gross weight (kg)	100



RACK CONVEYOR TYPE DISHWASHERS



RACK CONVEYOR RC 150 PLUS

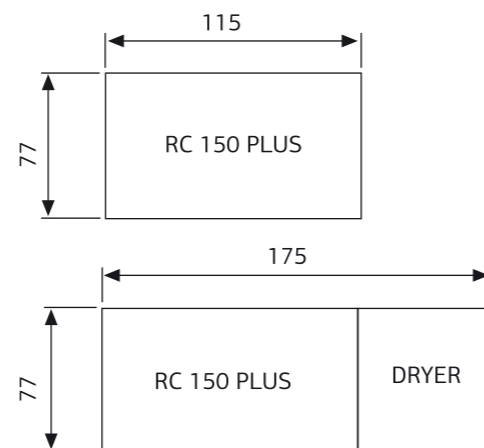
This compact, multi-speed conveyor can wash up to 120 baskets/hour and is the ideal solution for small and medium-sized operations. Its compact dimensions, conservative cost and extreme versatility can profitably substitute manual washing without increasing utilisation costs. A hood dishwasher can be used when experiencing an elevated daily or seasonal workload. The direction of the flow of the machine can be inverted based on the kitchen layout.

Technical Specifications

Dimensions (cm) W x D x H	115 x 77 x 160
Dimensions with dryer (cm) W x D x H	115 x 77 x 160 x 60
Productivity (racks/hr)	60-120
Water consumption (Ltr/hr)	160
Electrical power supply (V/Hz/Ph)	400/50/3/N
Required electrical power (kW/Amp)	28.5/50
Required electrical power with dryer (kW/Amp)	35/63
Required water pressure (Bar)	1.5 to 4
Gross weight (kg)	202
Usable height (cm)	45

Standard Equipment

Plate rack (50 x 50 cm)	Yes
Flat rack (50 x 50 cm)	Yes
Fill hose	Yes
Drain hose	Yes
Cutlery container	Yes
Power supply cable	Yes
End switch	Yes



RACK CONVEYOR TYPE DISHWASHERS

RACK CONVEYOR RC 152 PLUS

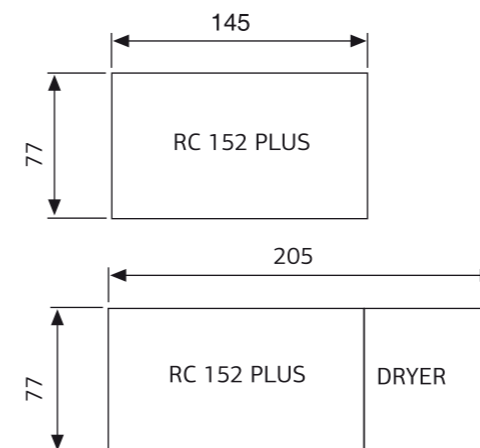
The compact multi-speed Conveyor can wash up to 160 baskets/hour and is particularly suitable for small and medium-sized operations that experience changes in workflow and the type of soil to be washed. Regardless of its extremely compact dimensions, it washes up to 2,880 dishes/hour while its extreme adaptability (to invert flow direction on site) and wide range of neutral accessories make possible installation in kitchens of any dimensions.

Technical Specifications

Dimensions (cm) W x D x H	145 x 77 x 160
Dimensions with dryer (cm) W x D x H	145 x 77 x 160 x 60
Productivity (racks/hr)	80-160
Water consumption (Ltr/hr)	160
Electrical power supply (V/Hz/Ph)	400/50/3/N
Required electrical power (kW/Amp)	28.7/50
Required electrical power with dryer (kW/Amp)	35.25/63
Required water pressure (Bar)	1.5 to 4
Gross weight (kg)	210
Usable height (cm)	45

Standard Equipment

Plate rack (50 x 50 cm)	Yes
Flat rack (50 x 50 cm)	Yes
Fill hose	Yes
Drain hose	Yes
Cutlery container	Yes
Power supply cable	Yes
End switch	Yes



All measurements in cm

RACK CONVEYOR TYPE DISHWASHERS

RACK CONVEYOR RC 154 PLUS

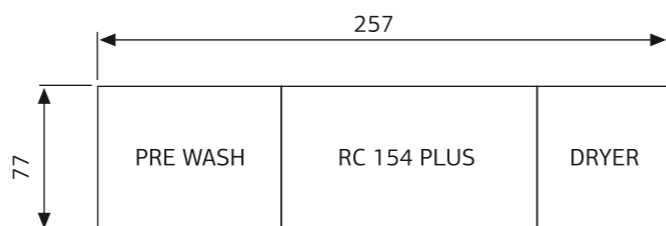
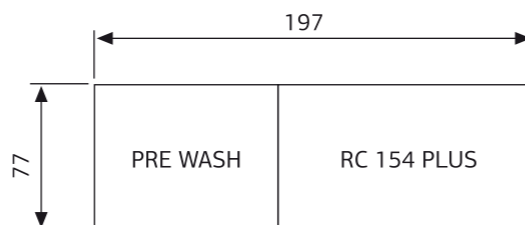
This high productivity conveyor washes up to 200 baskets/hour and is the ideal solution for medium/large operations. It is equipped with an 820 mm long, heavy-duty, pre-washing module with Blade Technology and 36 Jet System and is able to wash up to 3,600 dishes/hour. The machine can be complemented with a wide range of optional elements to adapt the layout to particular demands or to add functionalities.

Technical Specifications

Dimensions (cm) W x D x H	197 x 77 x 160
Dimensions with dryer (cm) W x D x H	197 x 77 x 160 x 60
Productivity (racks/hr)	110–200
Water consumption (Ltr/hr)	270
Electrical power supply (V/Hz/Ph)	400/50/3/N
Required electrical power (kW/Amp)	29.5/50
Required electrical power with dryer (kW/Amp)	36/63
Required water pressure (Bar)	1.5–4
Gross weight (kg)	328
Usable height (cm)	45

Standard Equipment

Plate rack (50 x 50 cm)	Yes
Flat rack (50 x 50 cm)	Yes
Fill hose	Yes
Drain hose	Yes
Cutlery container	Yes
End switch	Optional



DRYING MODULE FOR RACK CONVEYOR

Technical Specifications

Total length (cm)	60
Construction	Double skin
Fan power (W)	550
Temperature of blower air	65°C
Fan delivery (m ³ /hr)	1400
Heating (kW)	6



All measurements in cm

some of our esteemed clients

Corporates

Hospitality Industry

Hospitals

					
---	---	---	---	---	---

Educational Institutions

Government Sector

good care for better performance

Sparkling solutions



BECAUSE WE CARE

In over eight years of operations, IFB has produced over 3,500 dishwashers and built unrivalled experience in this specific product segment. This expertise is put to good use in our state-of-the-art production plants that implement advanced planning systems. Every IFB purchase comes with a service network that covers the length and breadth of the country with more than 286 franchisees across 11,000 towns. Over 2,650 trained service personnel are ready and waiting with world-class service. Our 24-hour helpline provides information and answers your queries; all just a phone call away.

Maximise efficiency.
Set yourself free with IFB!

Optional Accessories

- 1 Online electric drying module for rack conveyor type dishwashers for 100% quick-drying (straight/corner)
- 2 Detergent doser pump
- 3 Rinse aid doser pump
- 4 Rinse booster pump (to increase the inlet water pressure to 2 Bars)
- 5 Shower system (for pre wash)
- 6 Softener (depending on water hardness)
 - a. 500 Ltr/hr capacity
 - b. 750 Ltr/hr capacity
 - c. 1,000 Ltr/hr capacity
 - d. 2,000 Ltr/hr capacity
- 7 Dish baskets (50 x 50 cm and 40 x 40 cm)
- 8 Glass baskets (50 x 50 cm and 40 x 40 cm) with optional different inserts
- 9 Cutlery baskets (four divisions)
- 10 Stainless steel grade 304 entry/loading tables (with rollers, with or without sinks etc)
- 11 Stainless steel grade 304 exit/unloading table with right or left mounting

OVER **5 MILLION** SATISFIED CUSTOMERS



Shop 24x7 @ www.ifbappliances.com | Email customerservice@ifbglobal.com
Call 1860 2085678 or 1860 4255678

